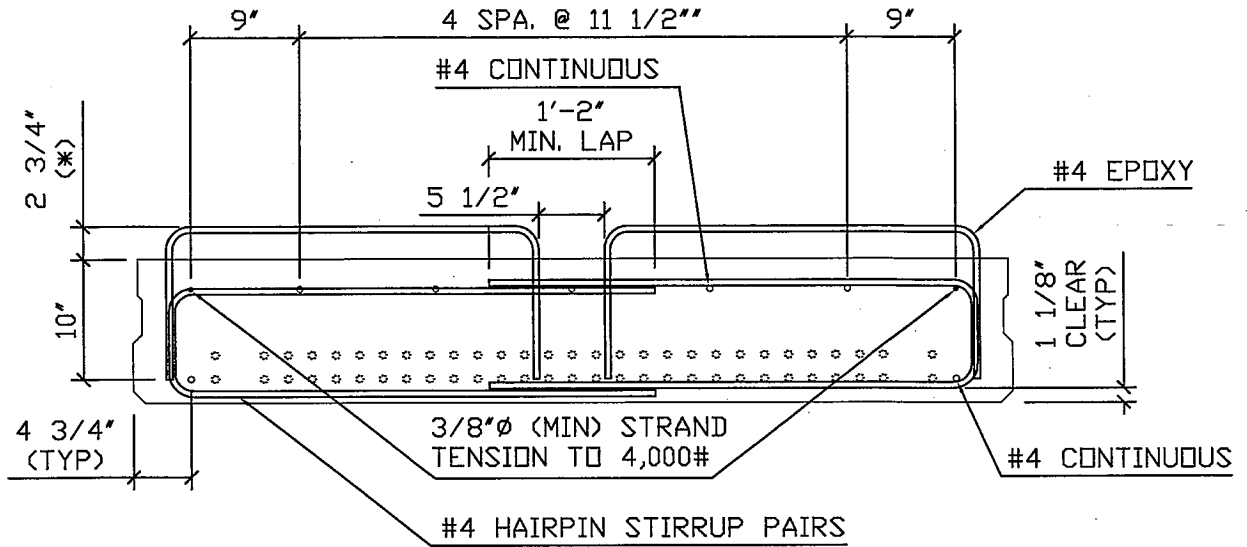
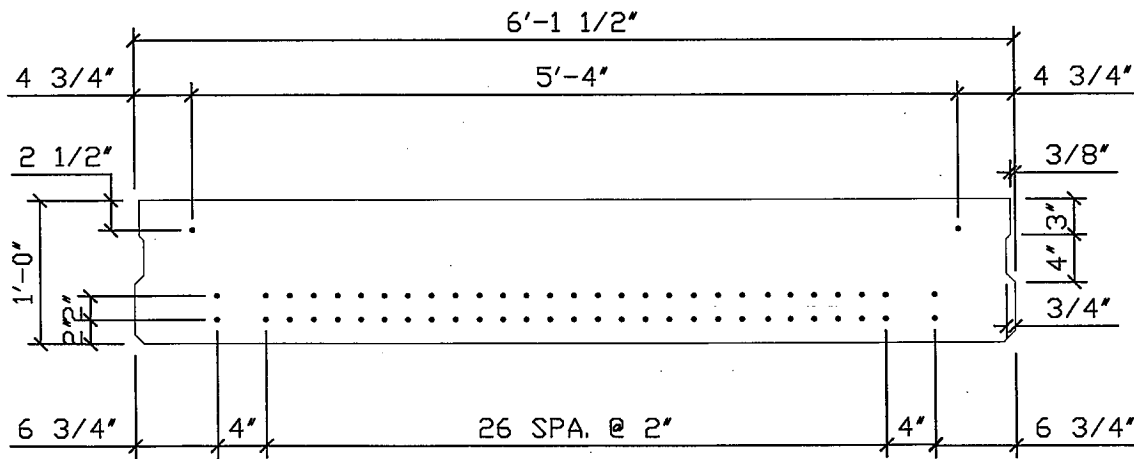


# 12" x 73 1/2" BOX BEAM



ELIMINATE KEYWAY  
FASCIA SIDE OF  
FASCIA BEAMS.

- POSSIBLE STRAND LOCATIONS DEPENDING ON DESIGN



## STRESS-CON INDUSTRIES, INC.

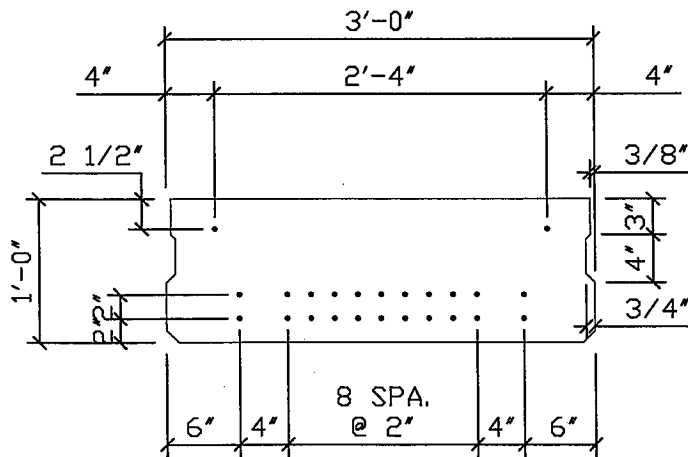
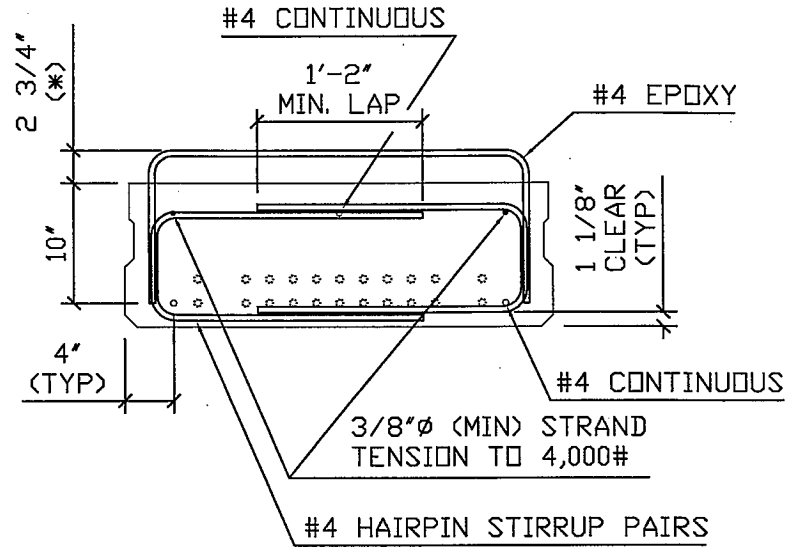
MAIN OFFICE:  
50500 DESIGN LANE TEL: (586) 731-1628  
SHELBY TOWNSHIP, MI 48315 FAX: (586) 731-7007  
WWW.STRESSCONINDUSTRIES.COM



BB 12" x 73 1/2"

# 12" x 36" BOX BEAM

(\* USE 6" FOR SPREAD BOX BEAMS.



ELIMINATE KEYWAY FASCIA SIDE OF FASCIA BEAMS.

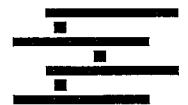
ELIMINATE KEYWAY BOTH SIDES FOR SPREAD BOX BEAMS.

- POSSIBLE STRAND LOCATIONS DEPENDING ON DESIGN

## STRESS-CON INDUSTRIES, INC.

MAIN OFFICE:  
 50500 DESIGN LANE  
 SHELBY TOWNSHIP, MI 48315  
 WWW.STRESSCONINDUSTRIES.COM

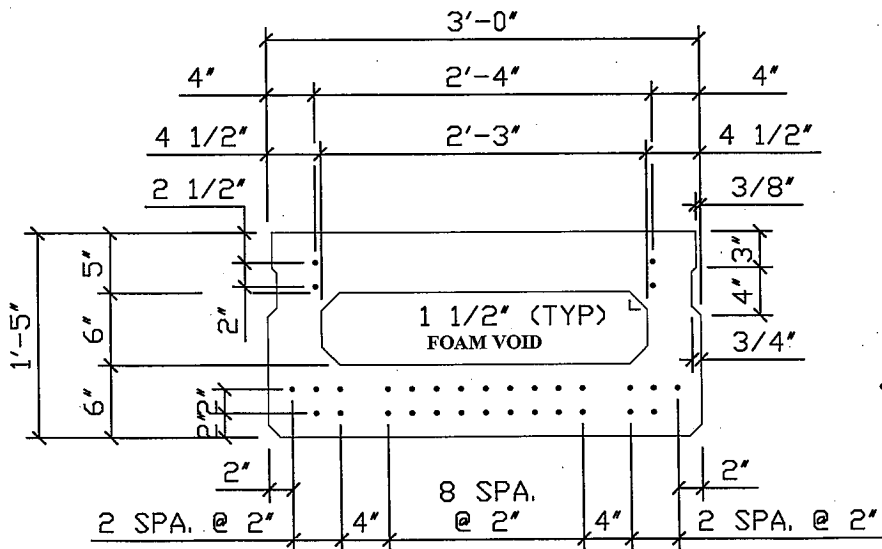
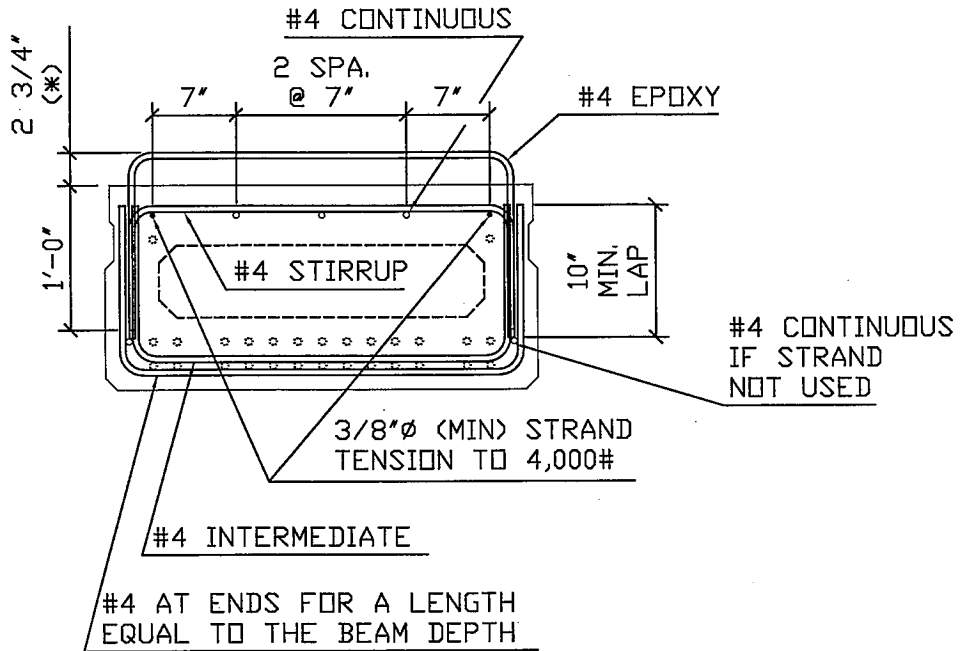
TEL: (586) 731-1628  
 FAX: (586) 731-7007



BB 12" x 36"

# 17" x 36" BOX BEAM

(\* ) USE 6" FOR SPREAD BOX BEAMS.



ELIMINATE KEYWAY FASCIA SIDE OF FASCIA BEAMS.

ELIMINATE KEYWAY BOTH SIDES FOR SPREAD BOX BEAMS.

• POSSIBLE STRAND LOCATIONS DEPENDING ON DESIGN

## STRESS-CON INDUSTRIES, INC.

MAIN OFFICE:

50500 DESIGN LANE

SHELBY TOWNSHIP, MI 48315

WWW.STRESSCONINDUSTRIES.COM

TEL: (586) 731-1628

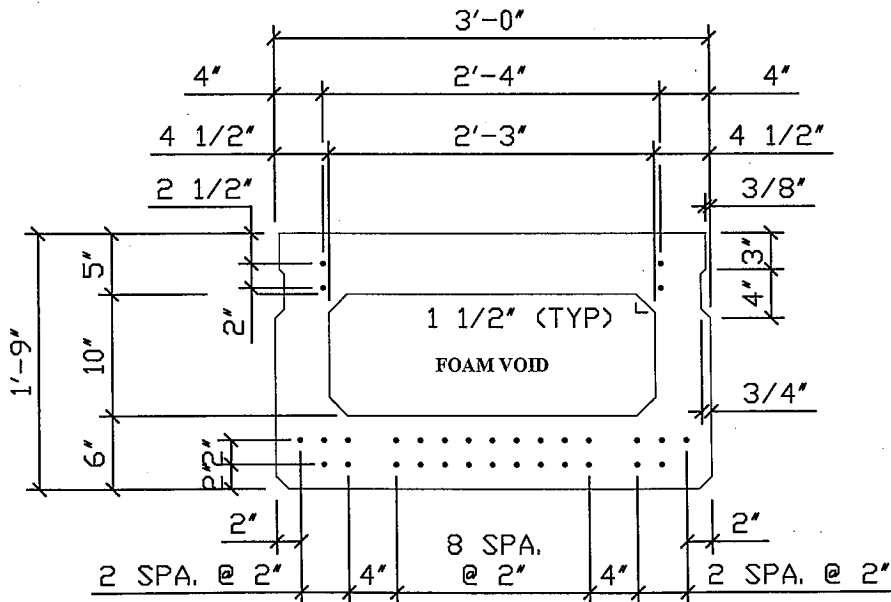
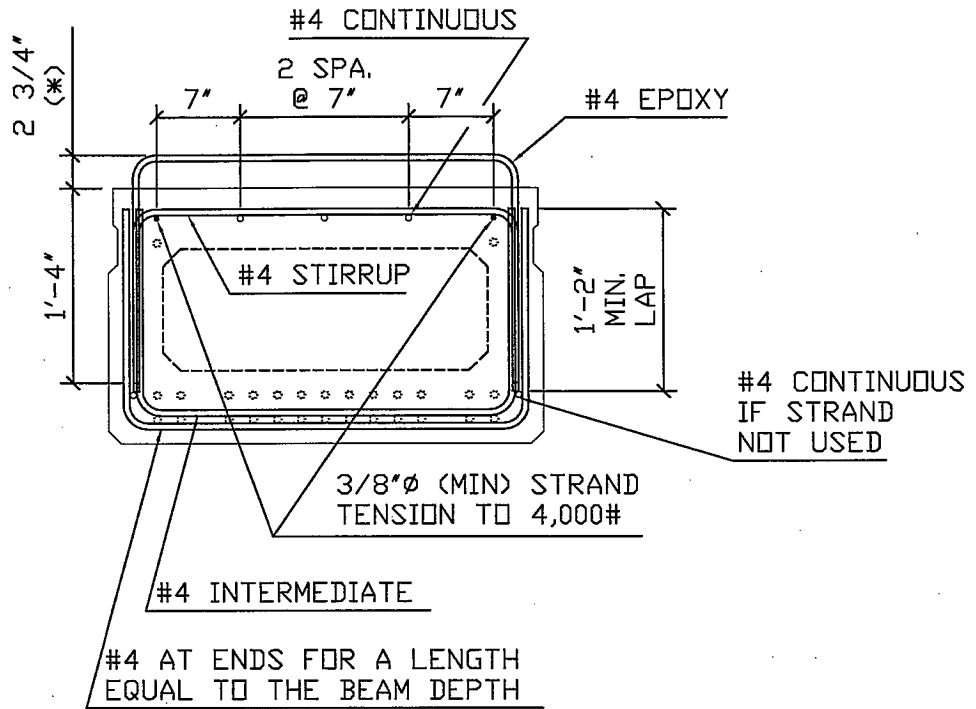
FAX: (586) 731-7007



BB 17" x 36"

# 21" x 36" BOX BEAM

(\*) USE 6" FOR SPREAD BOX BEAMS.



ELIMINATE KEYWAY FASCIA SIDE OF FASCIA BEAMS.

ELIMINATE KEYWAY BOTH SIDES FOR SPREAD BOX BEAMS.

• POSSIBLE STRAND LOCATIONS DEPENDING ON DESIGN

## STRESS-CON INDUSTRIES, INC.

MAIN OFFICE:

50500 DESIGN LANE

SHELBY TOWNSHIP, MI 48315

TEL: (586) 731-1628

FAX: (586) 731-7007

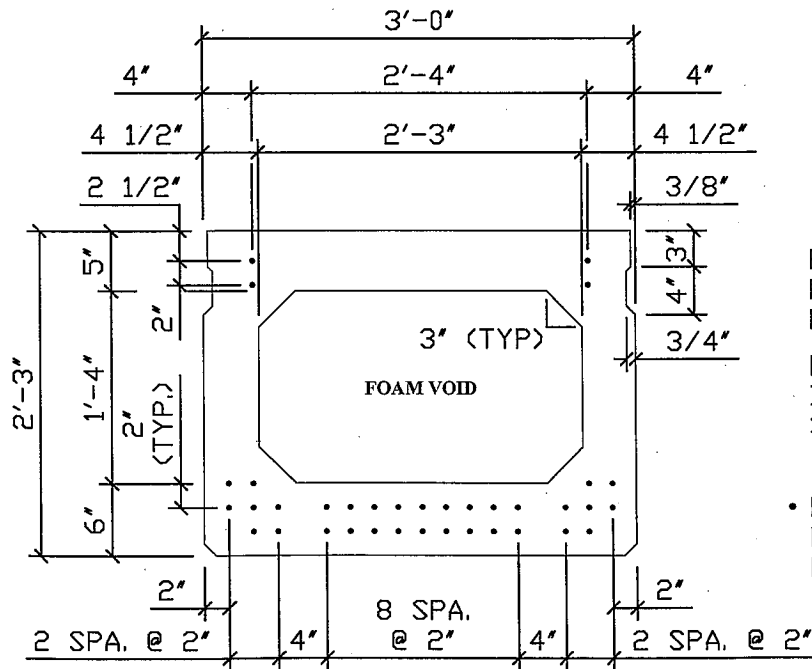
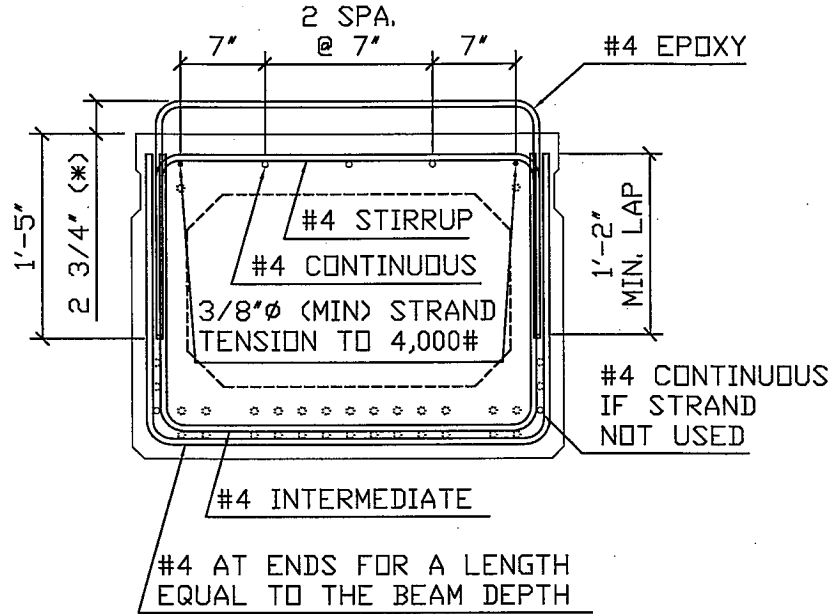
WWW.STRESSCONINDUSTRIES.COM



BB 21" x 36"

# 27" x 36" BOX BEAM

(\*) USE 6" FOR SPREAD BOX BEAMS.



ELIMINATE KEYWAY FASCIA SIDE OF FASCIA BEAMS.

ELIMINATE KEYWAY BOTH SIDES FOR SPREAD BOX BEAMS.

• POSSIBLE STRAND LOCATIONS DEPENDING ON DESIGN

## STRESS-CON INDUSTRIES, INC.

MAIN OFFICE:

50500 DESIGN LANE

SHELBY TOWNSHIP, MI 48315

WWW.STRESSCONINDUSTRIES.COM

TEL: (586) 731-1628

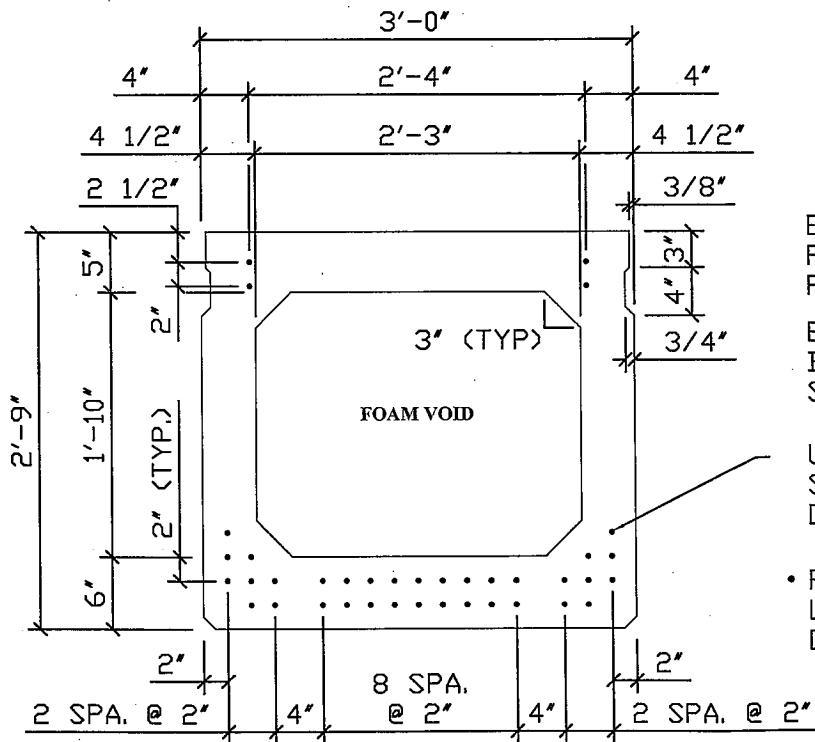
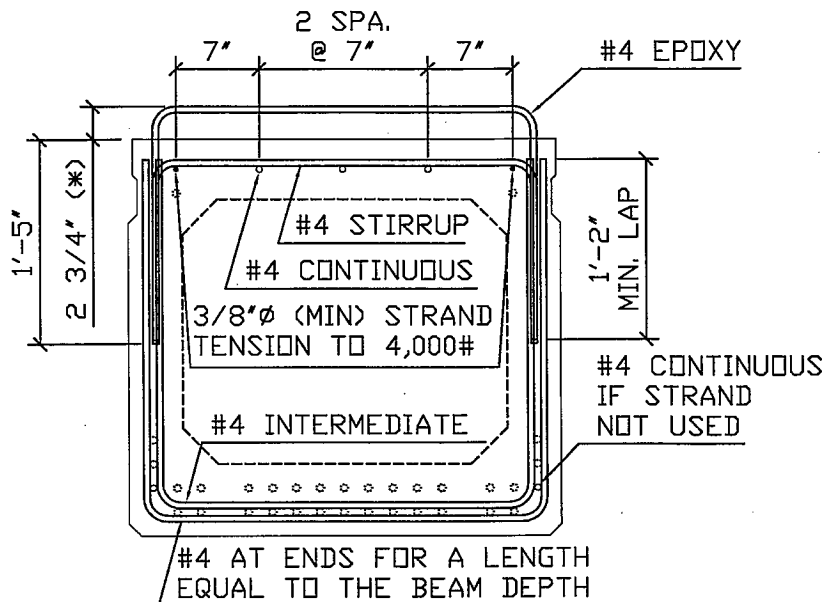
FAX: (586) 731-7007



BB 27" x 36"

# 33" x 36" BOX BEAM

(\*) USE 6" FOR SPREAD BOX BEAMS.



## STRESS-CON INDUSTRIES, INC.

MAIN OFFICE:

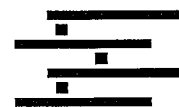
50500 DESIGN LANE

SHELBY TOWNSHIP, MI 48315

WWW.STRESSCONINDUSTRIES.COM

TEL: (586) 731-1628

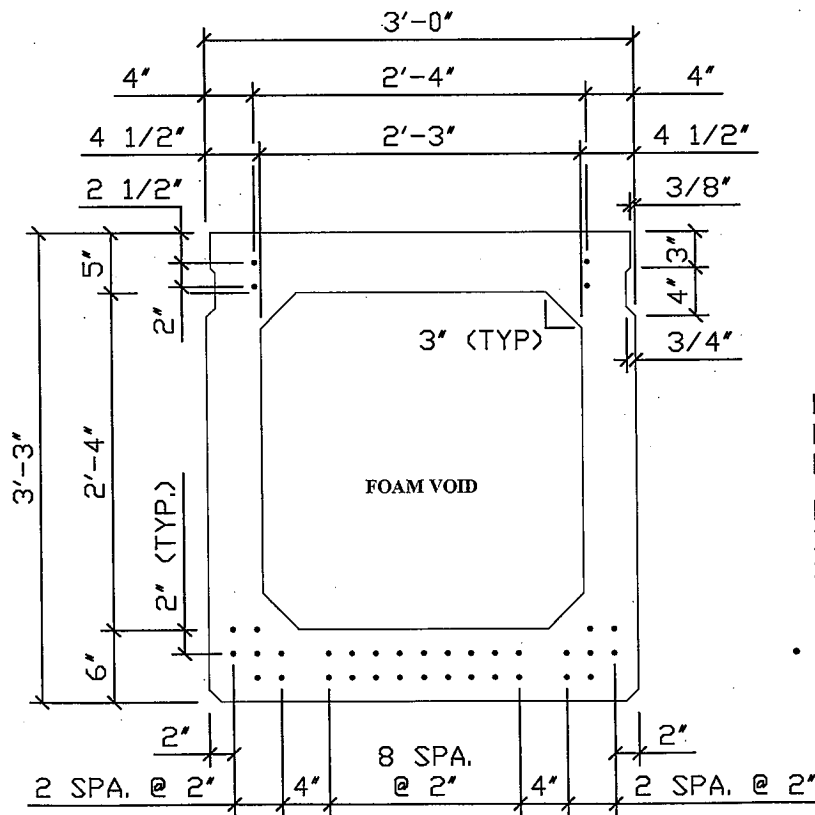
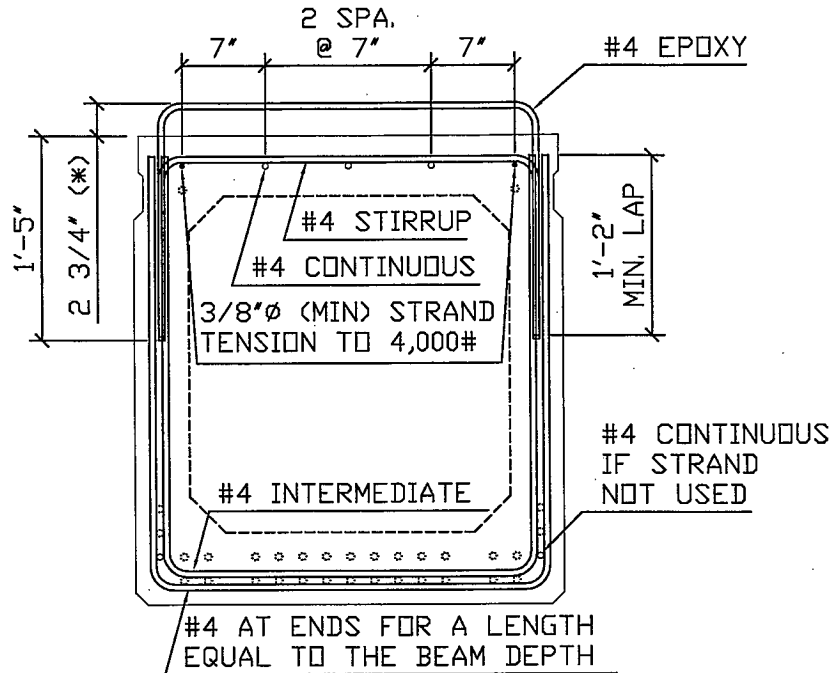
FAX: (586) 731-7007



BB 33" x 36"

# 39" x 36" BOX BEAM

(\*) USE 6" FOR SPREAD BOX BEAMS.



ELIMINATE KEYWAY FASCIA SIDE OF FASCIA BEAMS.

ELIMINATE KEYWAY BOTH SIDES FOR SPREAD BOX BEAMS.

• POSSIBLE STRAND LOCATIONS DEPENDING ON DESIGN

## STRESS-CON INDUSTRIES, INC.

MAIN OFFICE:

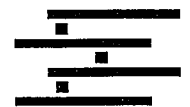
50500 DESIGN LANE

SHELBY TOWNSHIP, MI 48315

WWW.STRESSCONINDUSTRIES.COM

TEL: (586) 731-1628

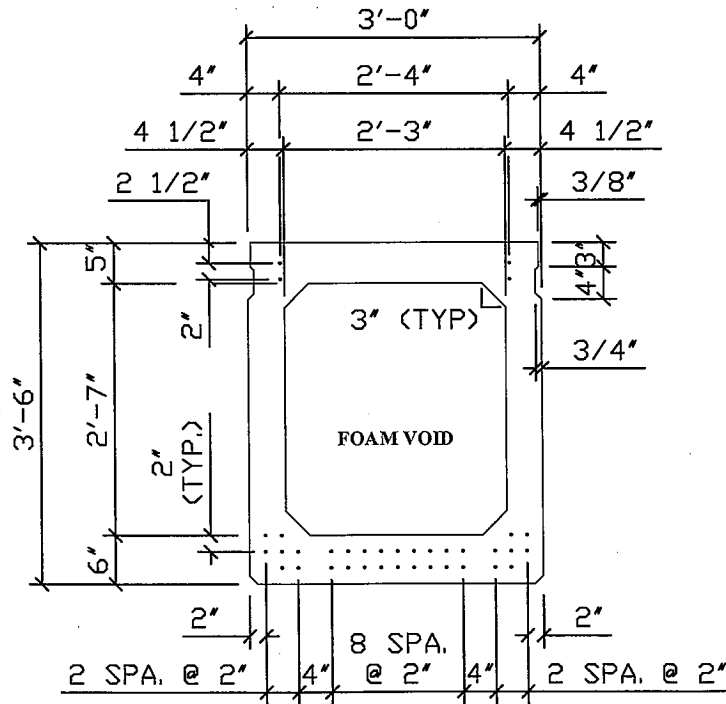
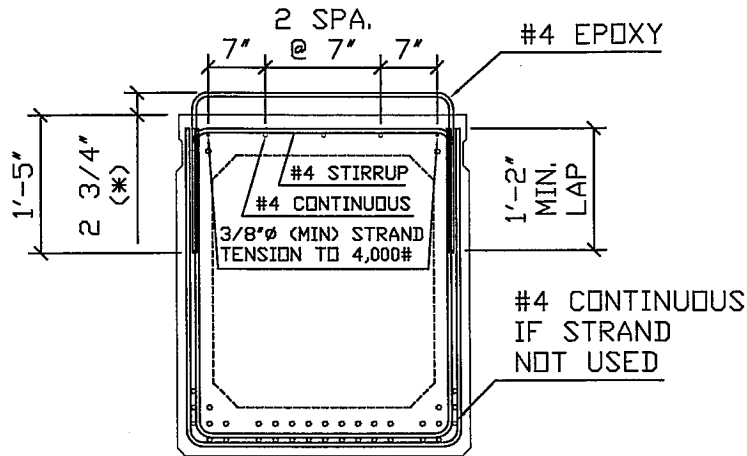
FAX: (586) 731-7007



BB 39" x 36"

# 42" x 36" BOX BEAM

(\* USE 6" FOR SPREAD BOX BEAMS.



ELIMINATE KEYWAY FASCIA SIDE OF FASCIA BEAMS.

ELIMINATE KEYWAY BOTH SIDES FOR SPREAD BOX BEAMS.

• POSSIBLE STRAND LOCATIONS DEPENDING ON DESIGN

## STRESS-CON INDUSTRIES, INC.

MAIN OFFICE:

50500 DESIGN LANE

SHELBY TOWNSHIP, MI 48315

TEL: (586) 731-1628

FAX: (586) 731-7007

WWW.STRESSCONINDUSTRIES.COM

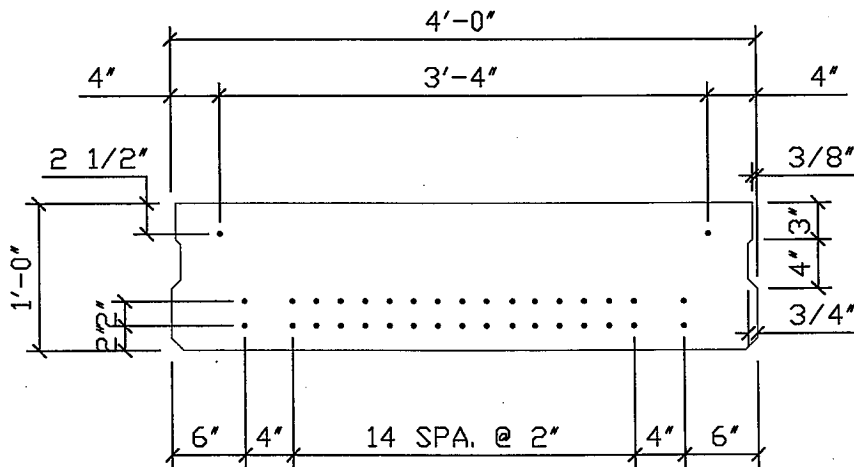
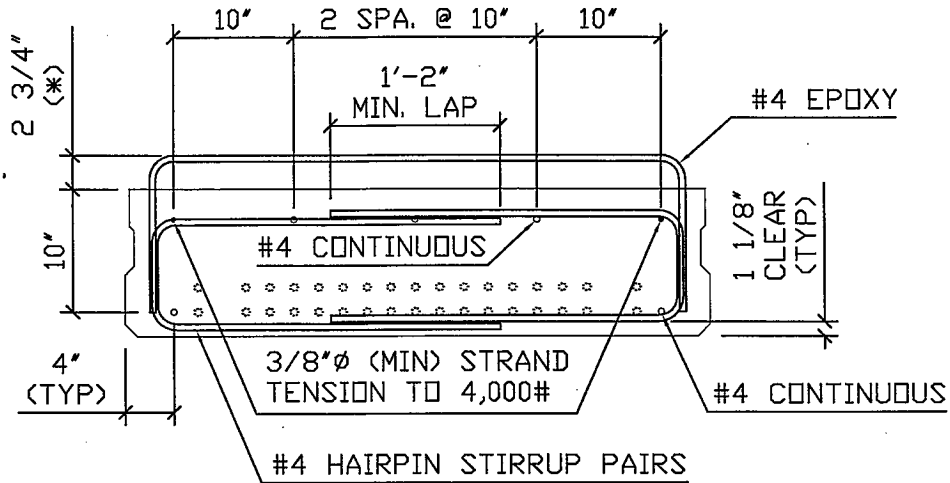


BB 42" x 36"



# 12" x 48" BOX BEAM

(\* USE 6" FOR SPREAD BOX BEAMS.



ELIMINATE KEYWAY FASCIA SIDE OF FASCIA BEAMS.

ELIMINATE KEYWAY BOTH SIDES FOR SPREAD BOX BEAMS.

• POSSIBLE STRAND LOCATIONS DEPENDING ON DESIGN

## STRESS-CON INDUSTRIES, INC.

MAIN OFFICE:

50500 DESIGN LANE

SHELBY TOWNSHIP, MI 48315

WWW.STRESSCONINDUSTRIES.COM

TEL: (586) 731-1628

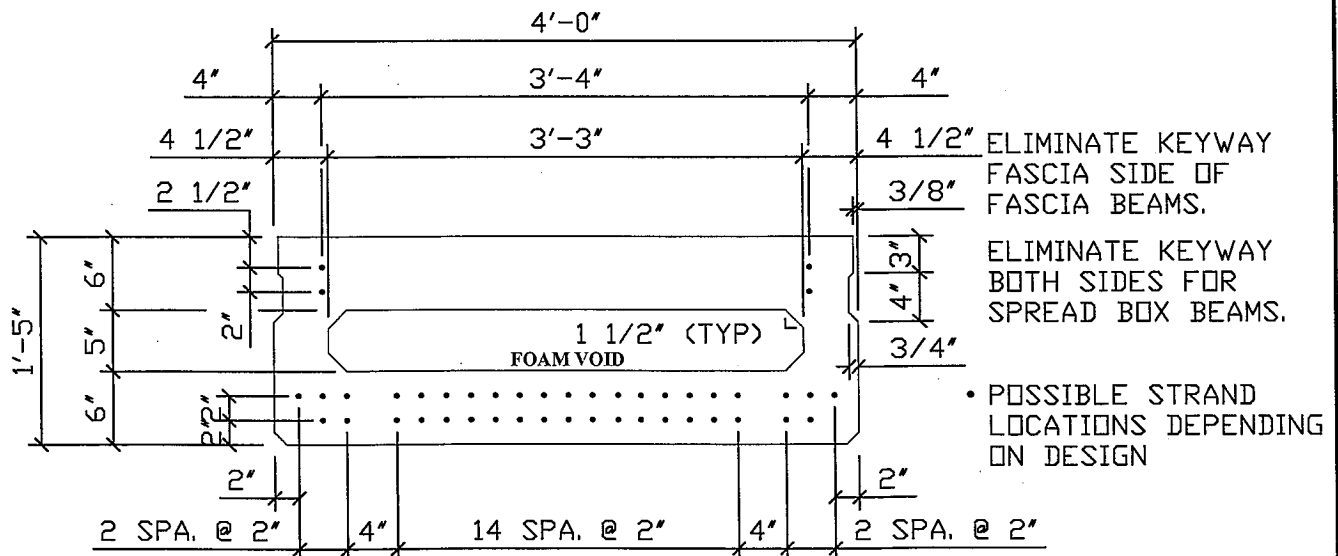
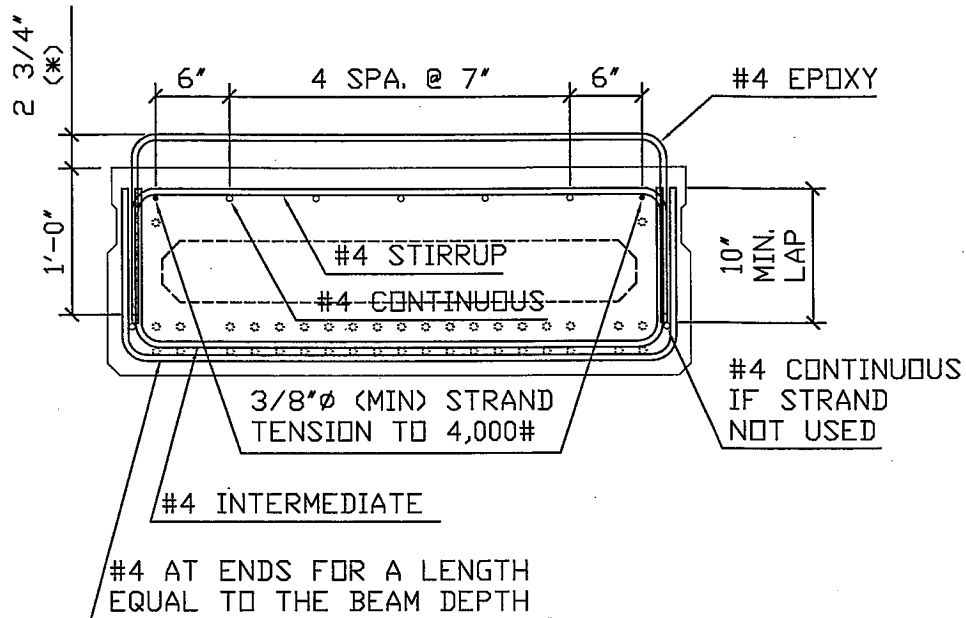
FAX: (586) 731-7007



BB 12" x 48"

# 17" x 48" BOX BEAM

(\*) USE 6" FOR SPREAD BOX BEAMS.



## STRESS-CON INDUSTRIES, INC.

MAIN OFFICE:

50500 DESIGN LANE

SHELBY TOWNSHIP, MI 48315

TEL: (586) 731-1628

FAX: (586) 731-7007

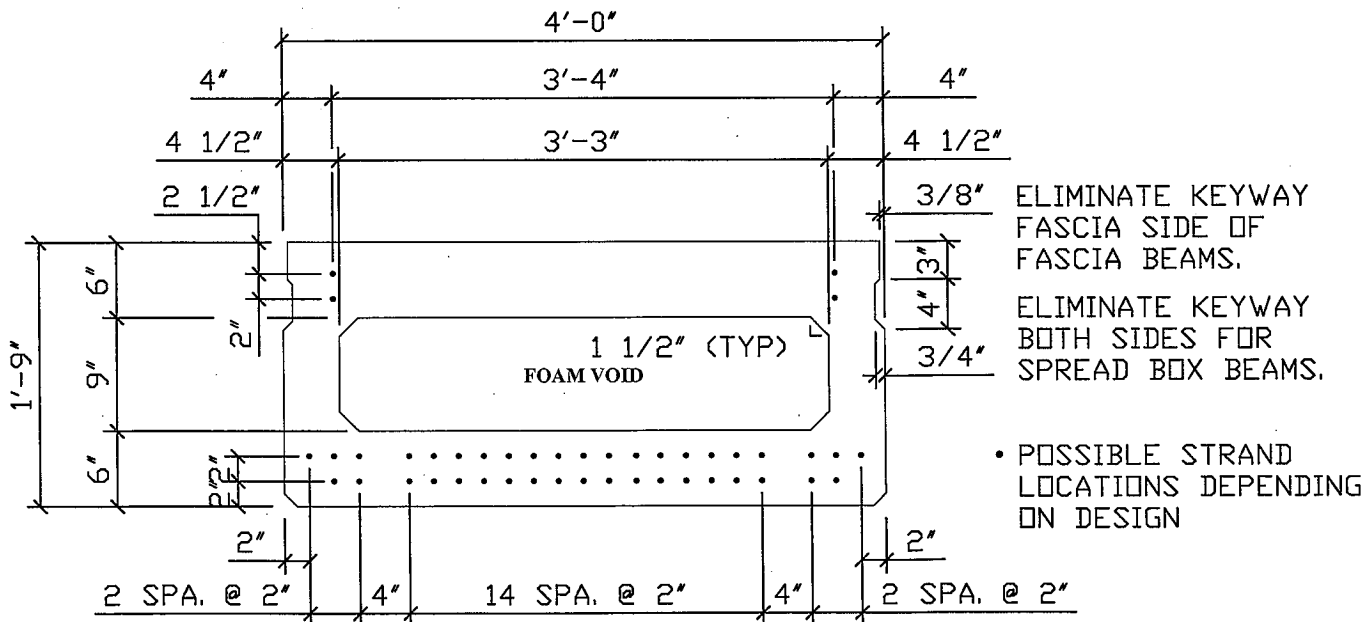
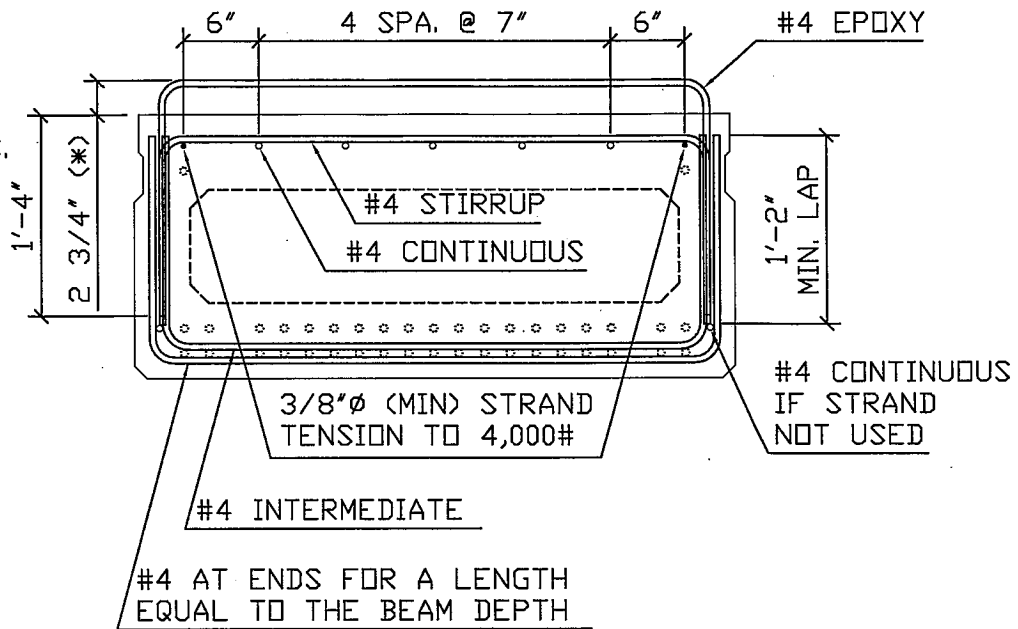
WWW.STRESSCONINDUSTRIES.COM



BB 17" x 48"

# 21" x 48" BOX BEAM

(\*) USE 6" FOR SPREAD BOX BEAMS.



## STRESS-CON INDUSTRIES, INC.

MAIN OFFICE:

50500 DESIGN LANE

SHELBY TOWNSHIP, MI 48315

WWW.STRESSCONINDUSTRIES.COM

TEL: (586) 731-1628

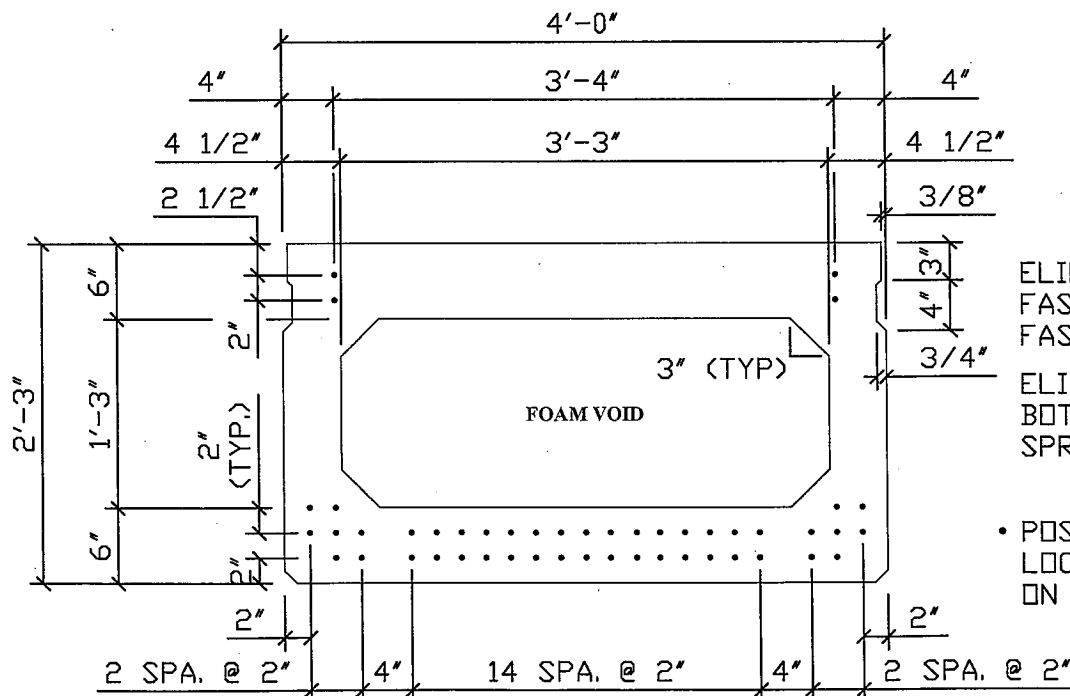
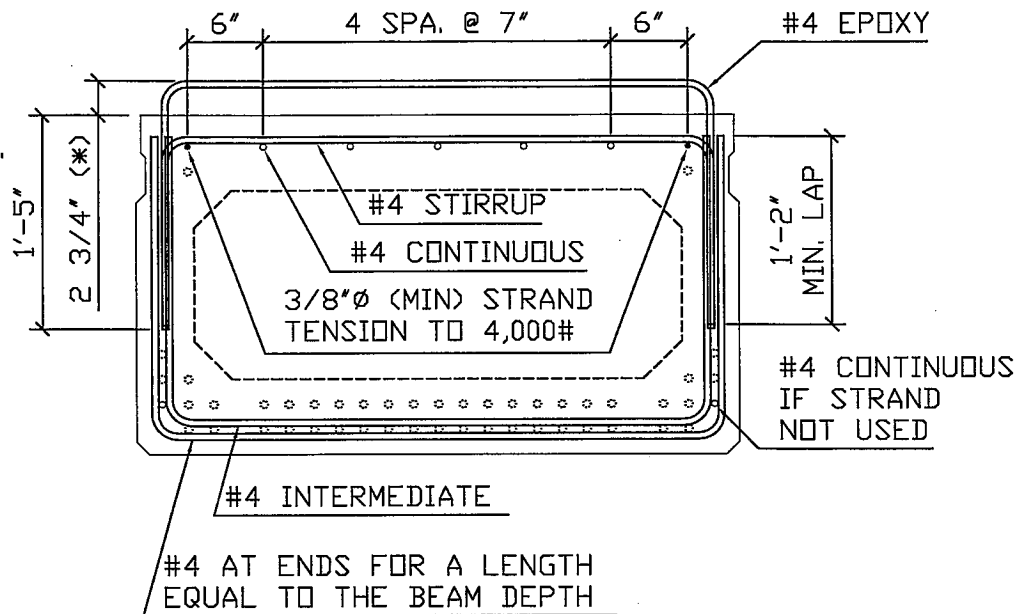
FAX: (586) 731-7007



BB 21" x 48"

# 27" x 48" BOX BEAM

(\*) USE 6" FOR SPREAD BOX BEAMS.



## STRESS-CON INDUSTRIES, INC.

MAIN OFFICE:

50500 DESIGN LANE

SHELBY TOWNSHIP, MI 48315

TEL: (586) 731-1628

FAX: (586) 731-7007

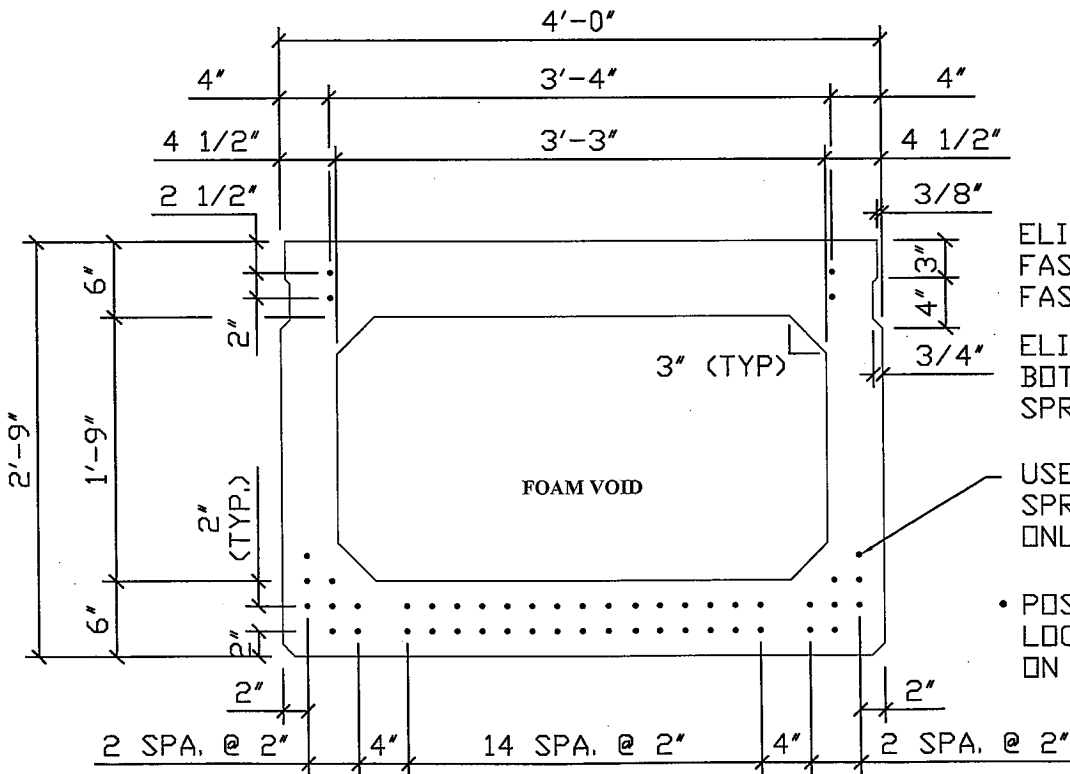
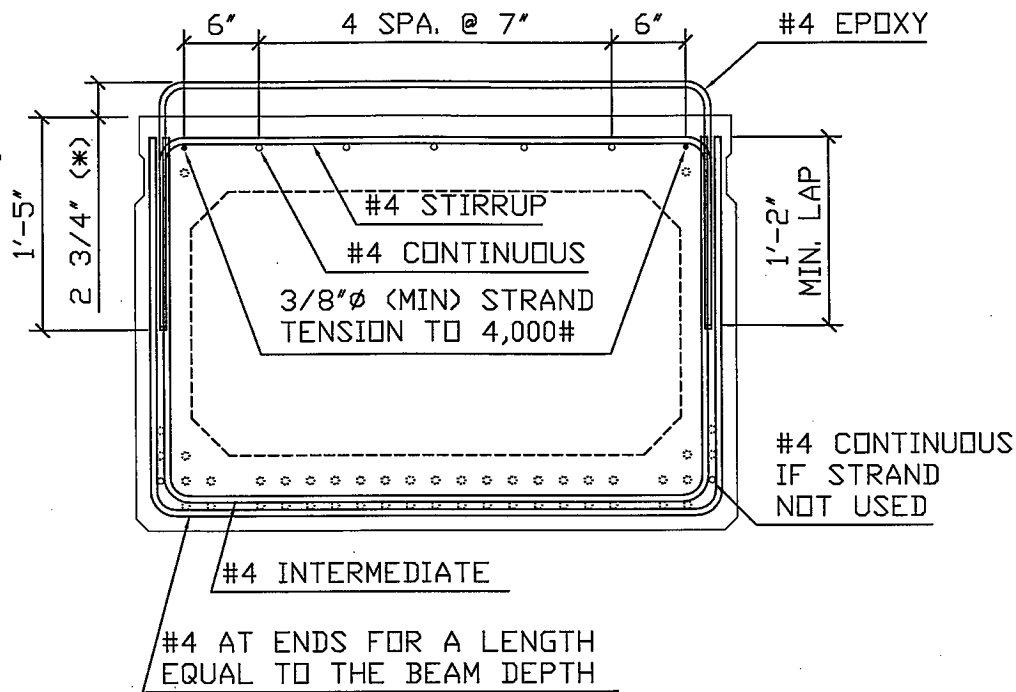
WWW.STRESSCONINDUSTRIES.COM



BB 27" x 48"

# 33" x 48" BOX BEAM

(\*) USE 6" FOR SPREAD BOX BEAMS.



## STRESS-CON INDUSTRIES, INC.

MAIN OFFICE:

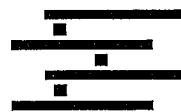
50500 DESIGN LANE

SHELBY TOWNSHIP, MI 48315

TEL: (586) 731-1628

FAX: (586) 731-7007

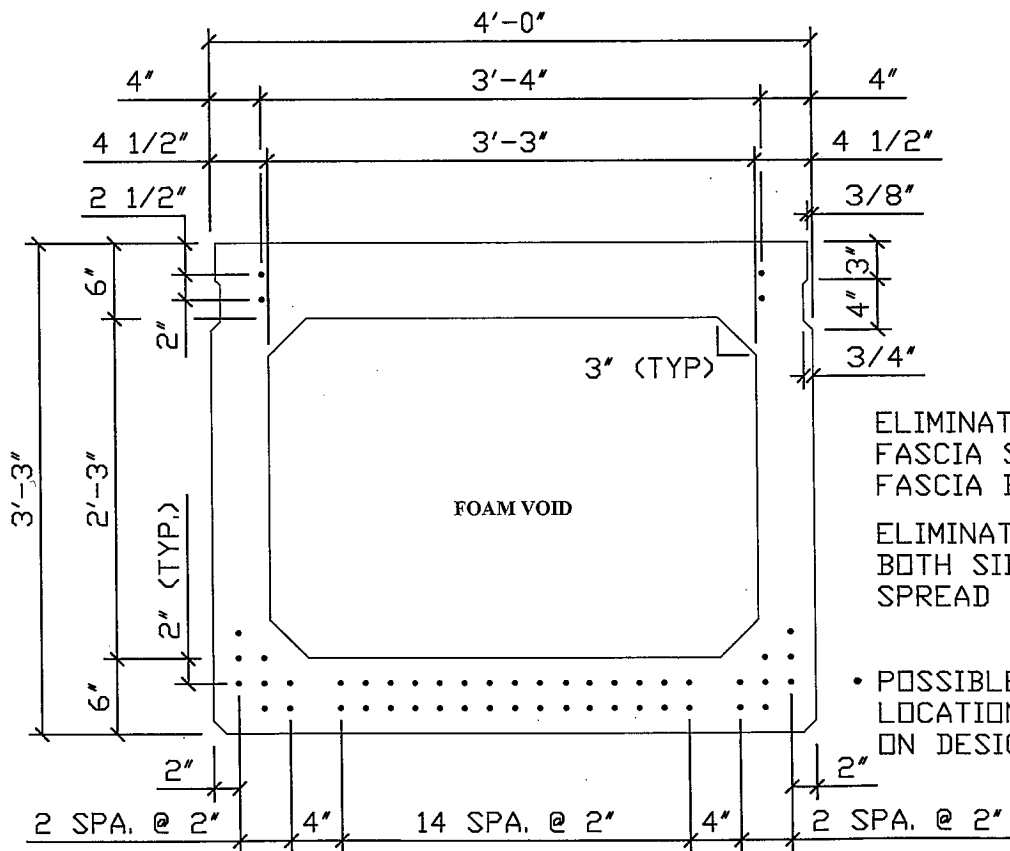
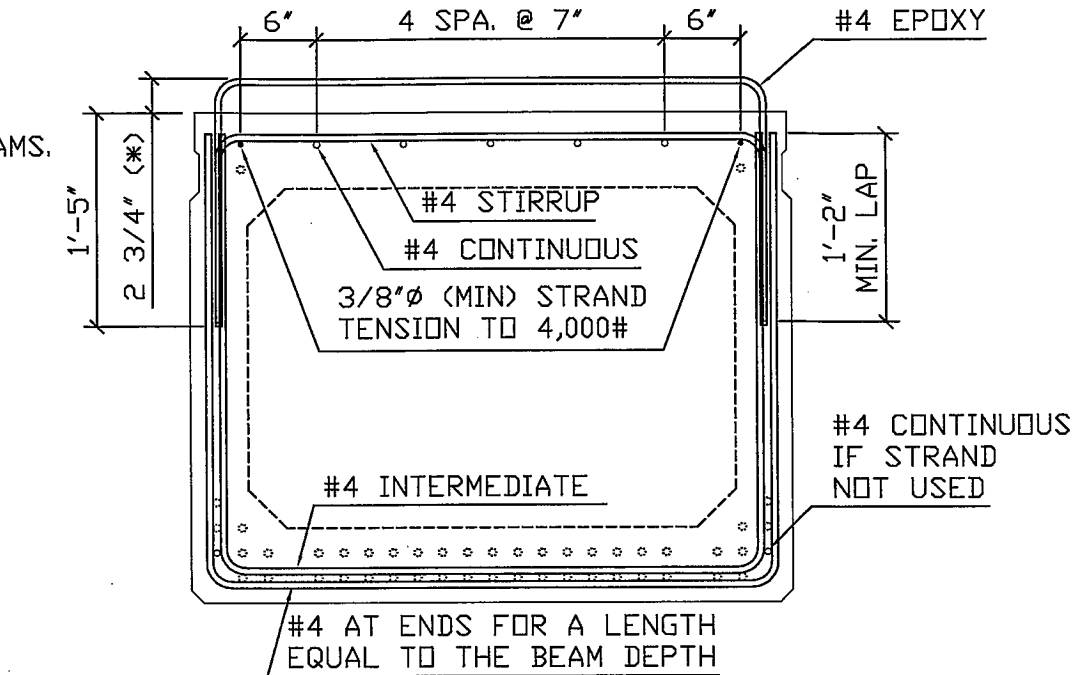
WWW.STRESSCONINDUSTRIES.COM



BB 33" x 48"

# 39" x 48" BOX BEAM

(\* USE 6" FOR SPREAD BOX BEAMS.



## STRESS-CON INDUSTRIES, INC.

MAIN OFFICE:  
50500 DESIGN LANE  
SHELBY TOWNSHIP, MI 48315

TEL: (586) 731-1628  
FAX: (586) 731-7007

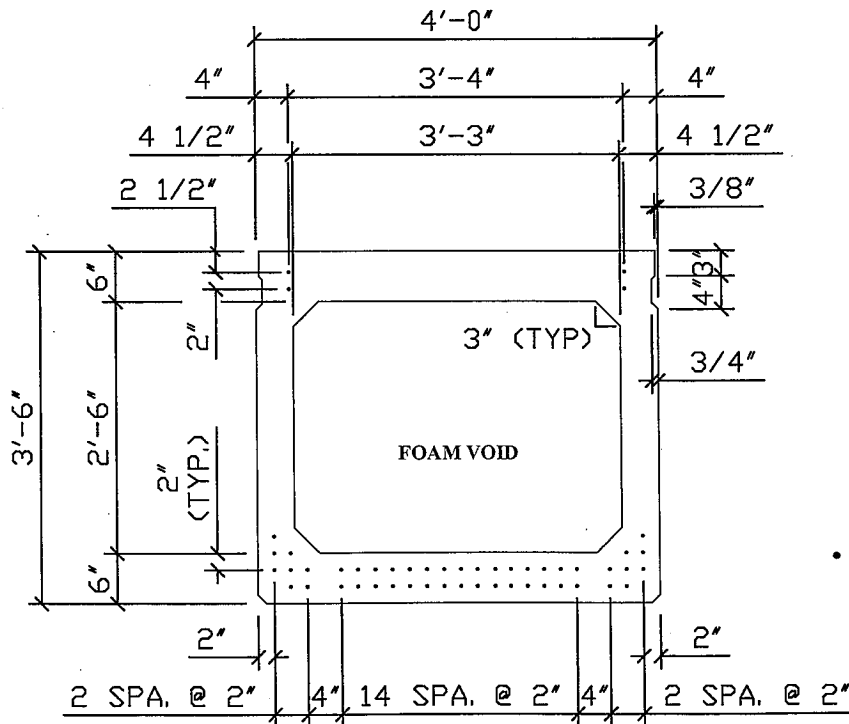
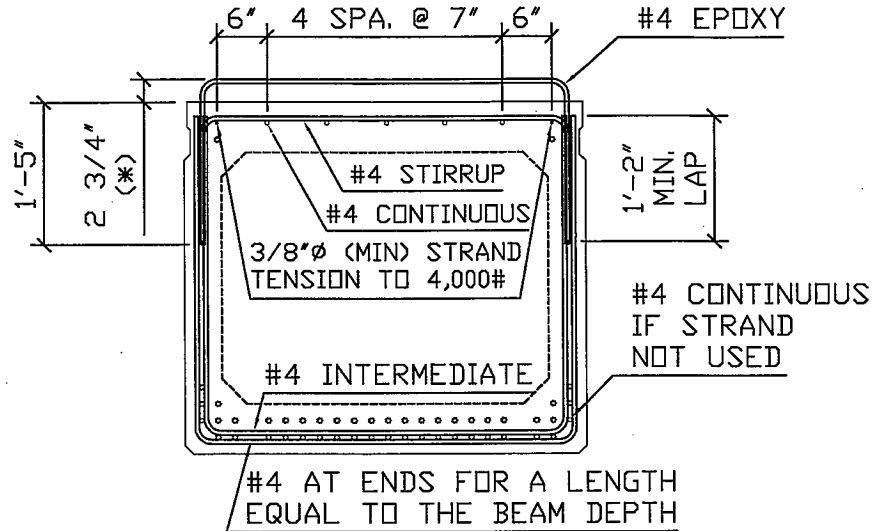
WWW.STRESSCONINDUSTRIES.COM



BB 39" x 48"

# 42" x 48" BOX BEAM

(\*) USE 6" FOR SPREAD BOX BEAMS.



ELIMINATE KEYWAY FASCIA SIDE OF FASCIA BEAMS.

ELIMINATE KEYWAY BOTH SIDES FOR SPREAD BOX BEAMS.

• POSSIBLE STRAND LOCATIONS DEPENDING ON DESIGN

## STRESS-CON INDUSTRIES, INC.

MAIN OFFICE:

50500 DESIGN LANE

SHELBY TOWNSHIP, MI 48315

TEL: (586) 731-1628

FAX: (586) 731-7007

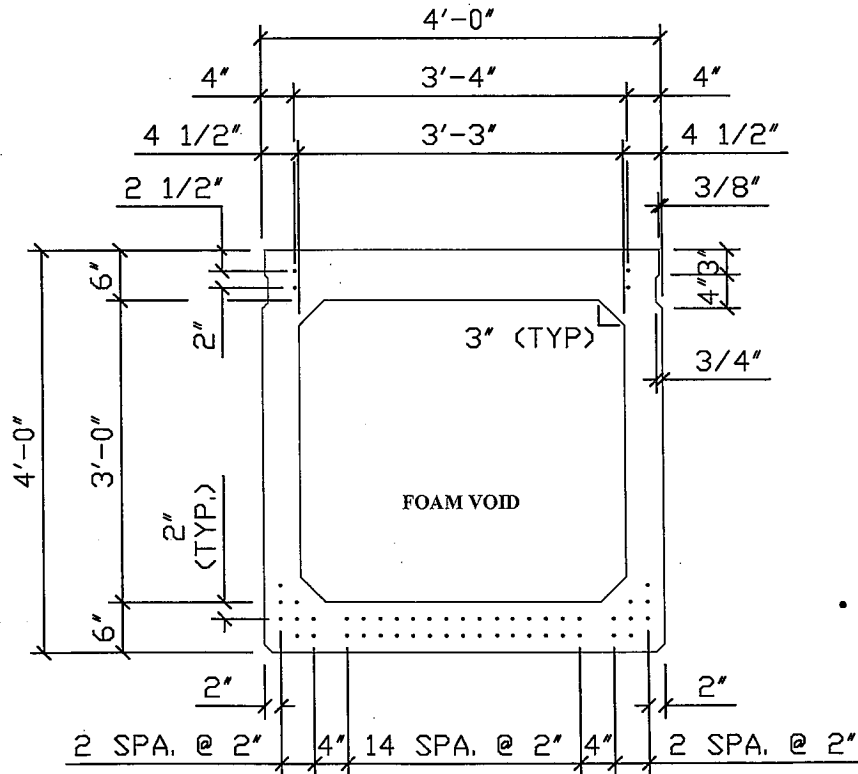
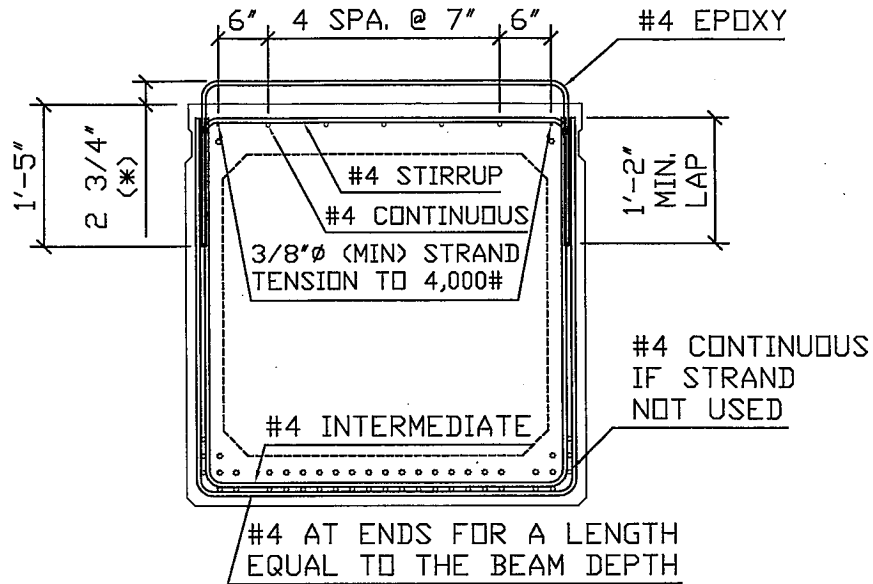
WWW.STRESSCONINDUSTRIES.COM



BB 42" x 48"

# 48" x 48" BOX BEAM

(\*) USE 6" FOR SPREAD BOX BEAMS.



## STRESS-CON INDUSTRIES, INC.

MAIN OFFICE:

50500 DESIGN LANE

SHELBY TOWNSHIP, MI 48315

WWW.STRESSCONINDUSTRIES.COM

TEL: (586) 731-1628

FAX: (586) 731-7007

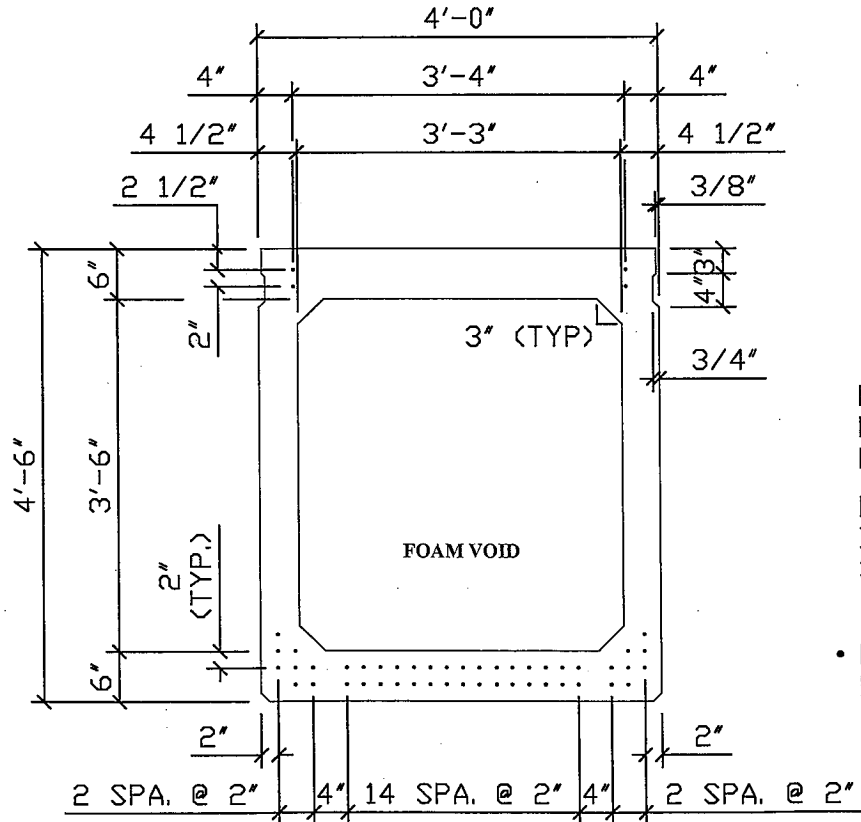
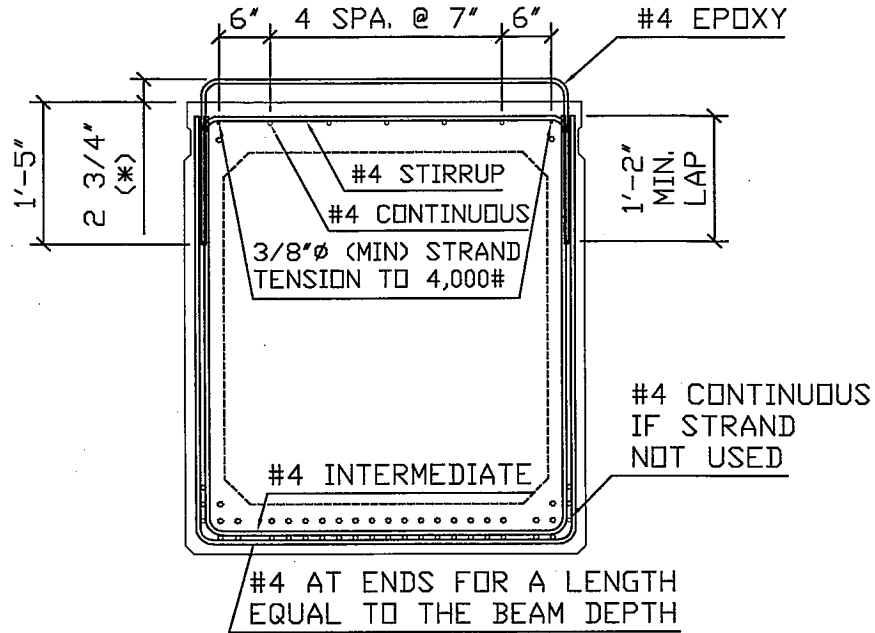


BB 48" x 48"



# 54" x 48" BOX BEAM

(\* ) USE 6" FOR SPREAD BOX BEAMS.



ELIMINATE KEYWAY FASCIA SIDE OF FASCIA BEAMS.

ELIMINATE KEYWAY BOTH SIDES FOR SPREAD BOX BEAMS.

• POSSIBLE STRAND LOCATIONS DEPENDING ON DESIGN

## STRESS-CON INDUSTRIES, INC.

MAIN OFFICE:  
50500 DESIGN LANE  
SHELBY TOWNSHIP, MI 48315

TEL: (586) 731-1628  
FAX: (586) 731-7007

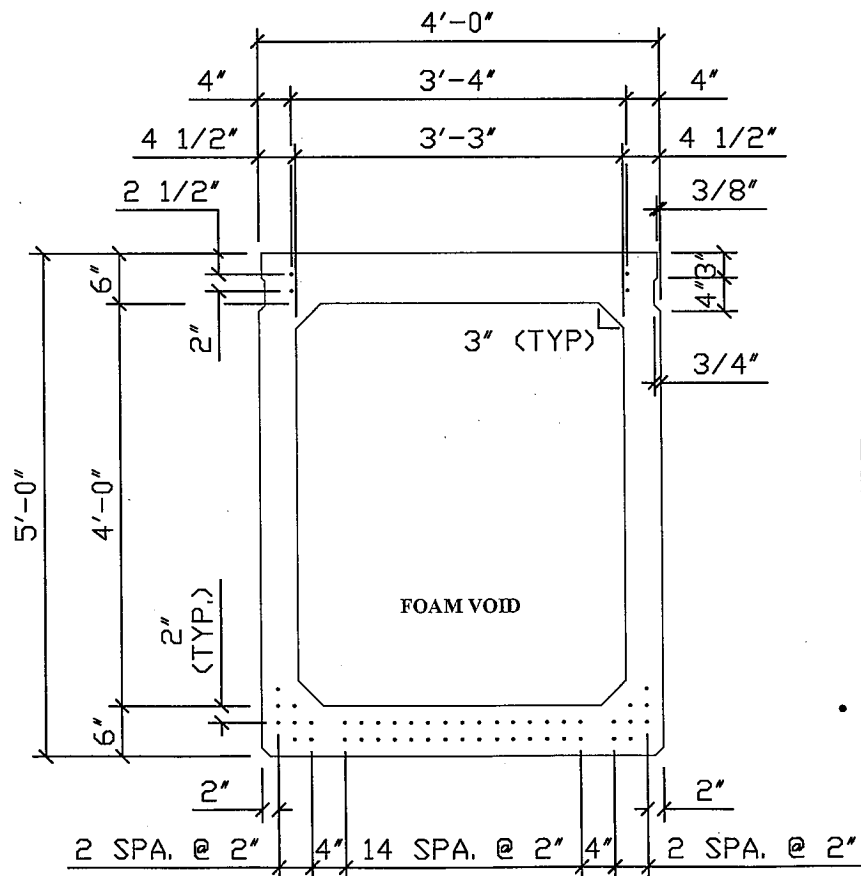
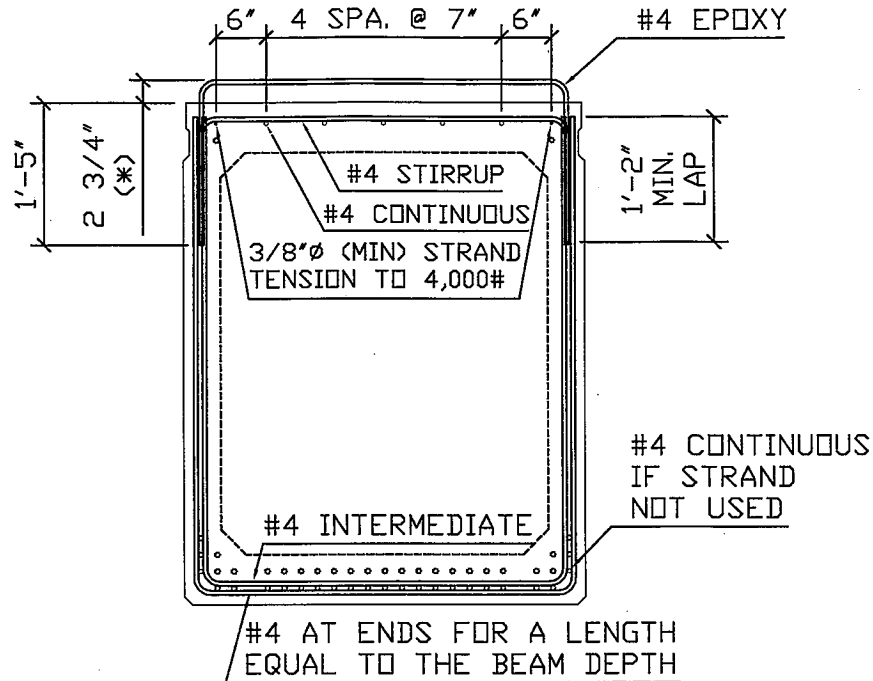
WWW.STRESSCONINDUSTRIES.COM



BB 54" x 48"

# 60" x 48" BOX BEAM

(\* USE 6" FOR SPREAD BOX BEAMS.



ELIMINATE KEYWAY FASCIA SIDE OF FASCIA BEAMS.

ELIMINATE KEYWAY BOTH SIDES FOR SPREAD BOX BEAMS.

- POSSIBLE STRAND LOCATIONS DEPENDING ON DESIGN

## STRESS-CON INDUSTRIES, INC.

MAIN OFFICE:

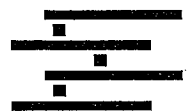
50500 DESIGN LANE

SHELBY TOWNSHIP, MI 48315

WWW.STRESSCONINDUSTRIES.COM

TEL: (586) 731-1628

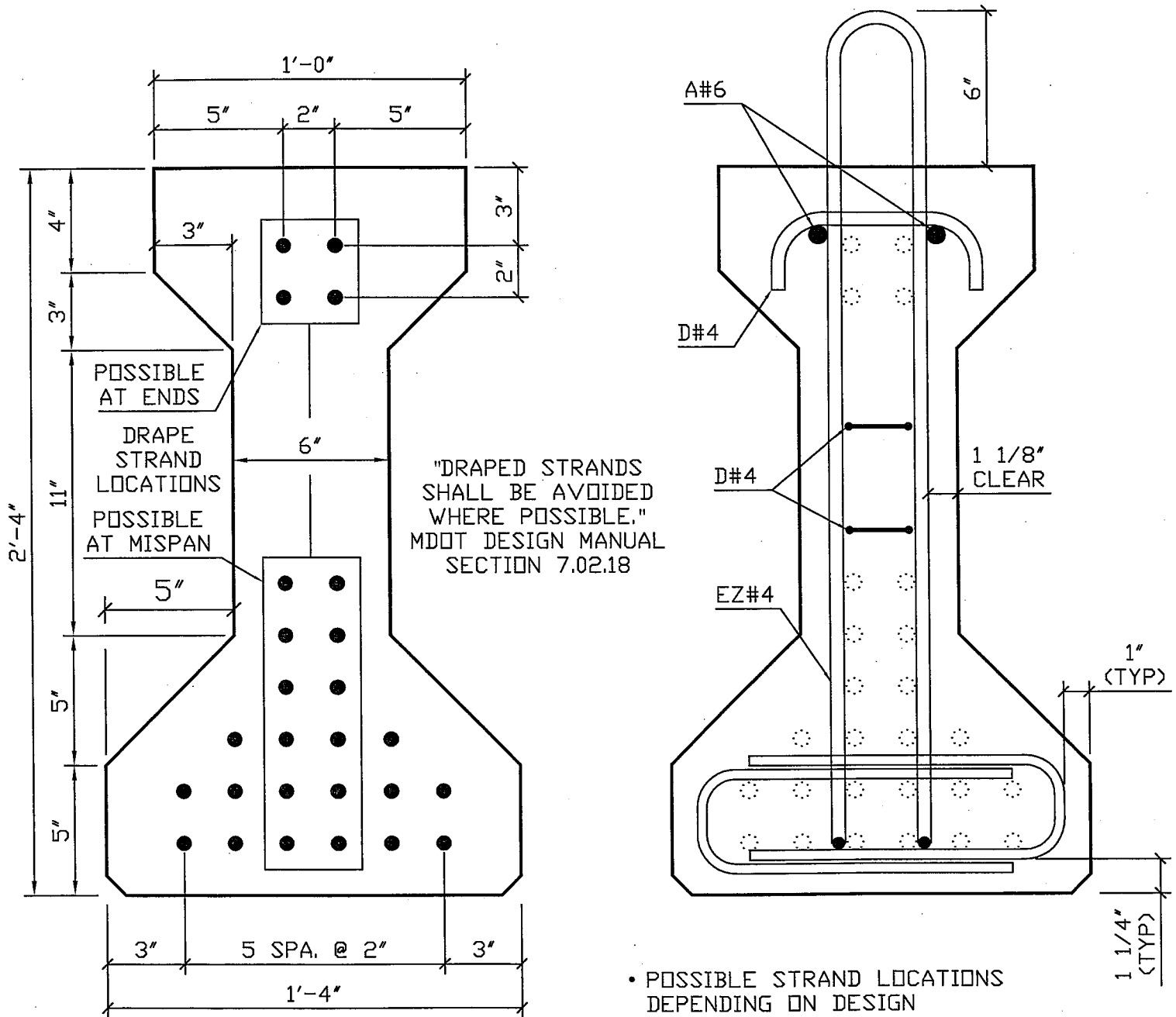
FAX: (586) 731-7007



BB 60" x 48"

# AASHTO TYPE I 28" I-BEAM

DEPTH (In)	AREA (In <sup>2</sup> )	WEIGHT (lb/ft)	I (In <sup>4</sup> )	ST (In <sup>3</sup> )	SB (In <sup>3</sup> )
28"	276	288	22,800	1,475	1,805



## STRESS-CON INDUSTRIES, INC.

MAIN OFFICE:

50500 DESIGN LANE

SHELBY TOWNSHIP, MI 48315

TEL: (586) 731-1628

FAX: (586) 731-7007

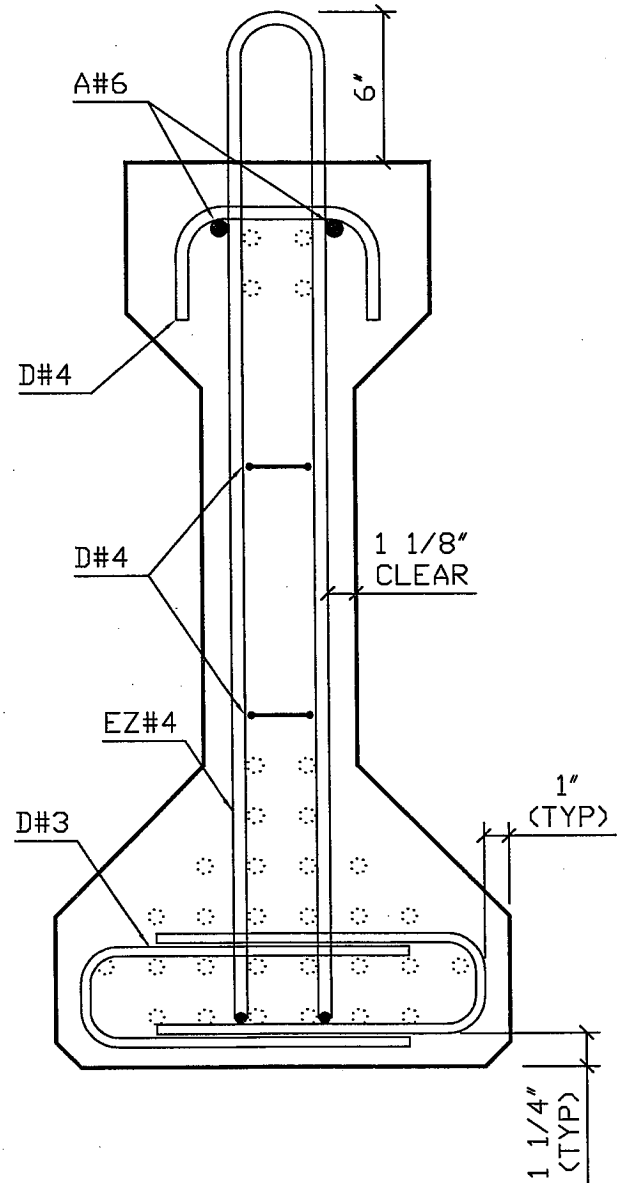
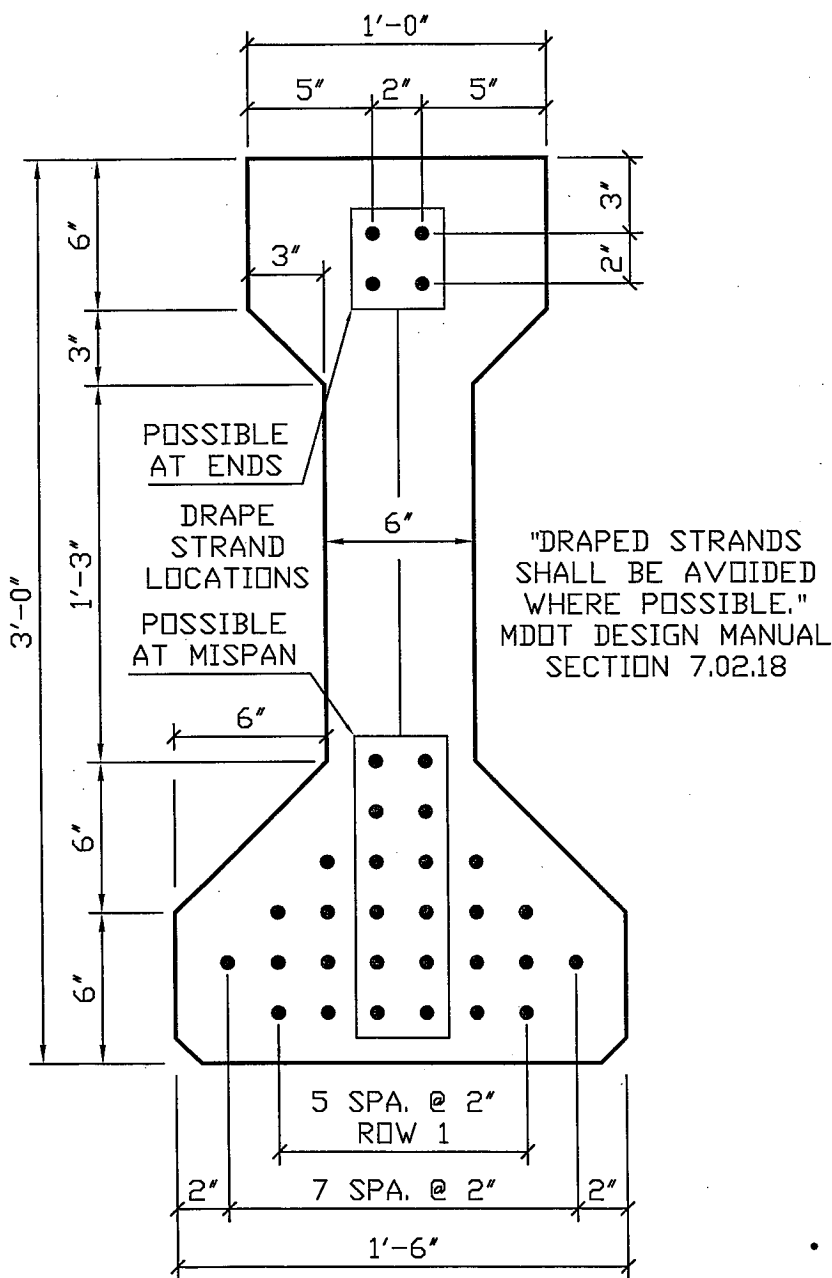
WWW.STRESSCONINDUSTRIES.COM



IB TYPE I

# AASHTO TYPE II 36" I-BEAM

DEPTH (In)	AREA (In <sup>2</sup> )	WEIGHT (lb/ft)	I (In <sup>4</sup> )	ST (In <sup>3</sup> )	SB (In <sup>3</sup> )
36"	369	384	51,000	2,530	3,220



• POSSIBLE STRAND LOCATIONS  
DEPENDING ON DESIGN

## STRESS-CON INDUSTRIES, INC.

MAIN OFFICE:

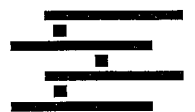
50500 DESIGN LANE

SHELBY TOWNSHIP, MI 48315

TEL: (586) 731-1628

FAX: (586) 731-7007

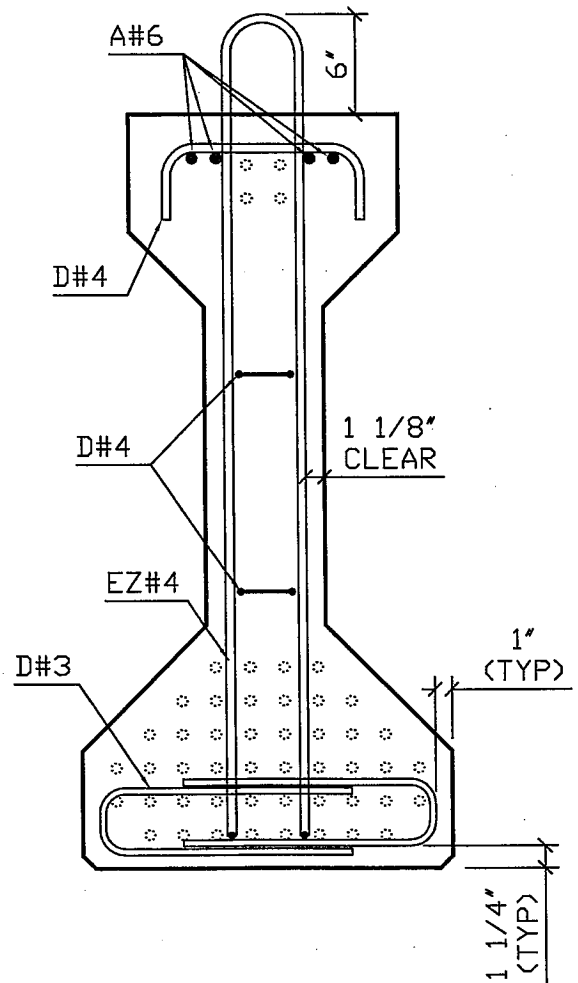
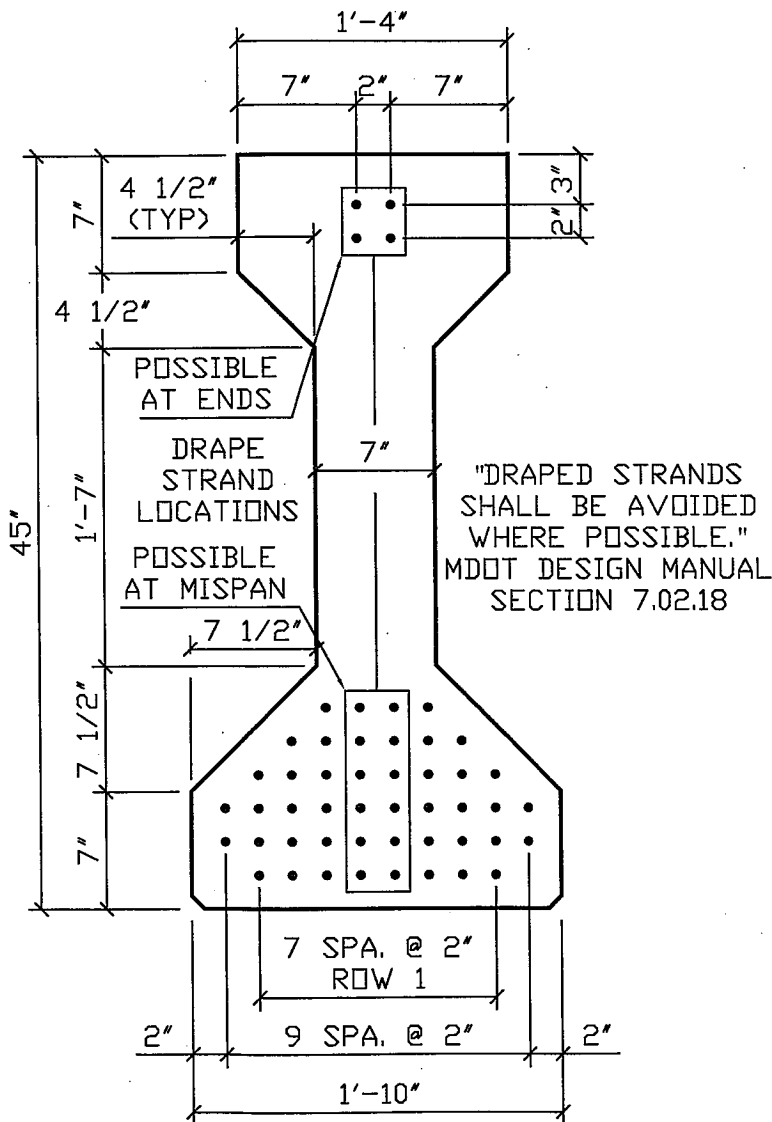
WWW.STRESSCONINDUSTRIES.COM



IB TYPE II

# AASHTO TYPE III 45" I-BEAM

DEPTH (In)	AREA (In <sup>2</sup> )	WEIGHT (lb/ft)	I (In <sup>4</sup> )	ST (In <sup>3</sup> )	SB (In <sup>3</sup> )
45"	560	583	125,000	5,070	6,190



• POSSIBLE STRAND LOCATIONS DEPENDING ON DESIGN

## STRESS-CON INDUSTRIES, INC.

MAIN OFFICE:

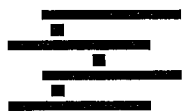
50500 DESIGN LANE

SHELBY TOWNSHIP, MI 48315

WWW.STRESSCONINDUSTRIES.COM

TEL: (586) 731-1628

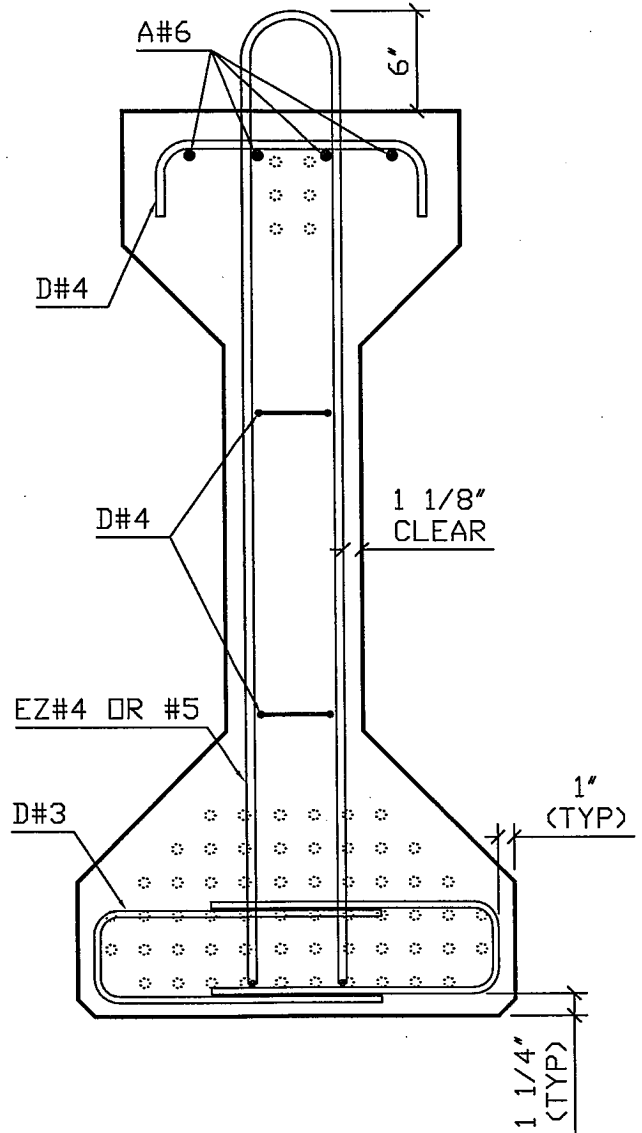
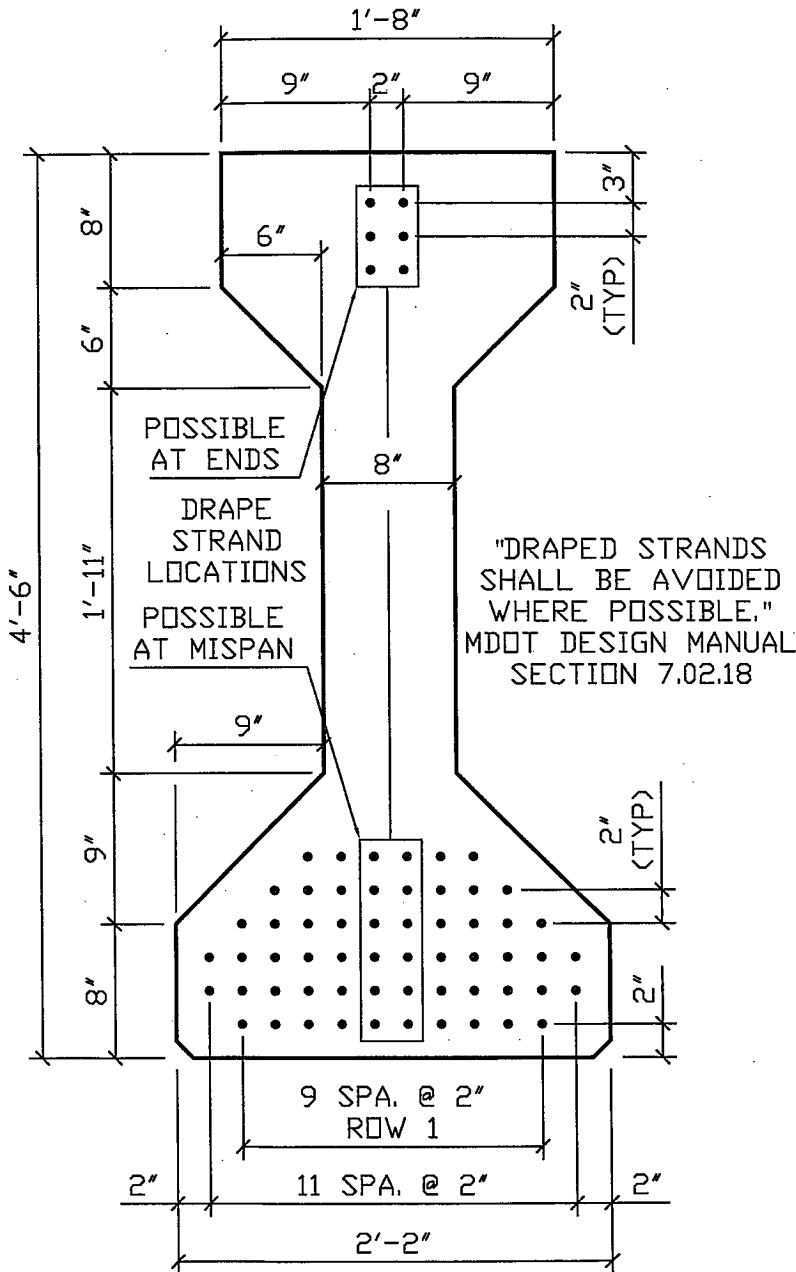
FAX: (586) 731-7007



IB TYPE III

# AASHTO TYPE IV 54" I-BEAM

DEPTH (In)	AREA (In <sup>2</sup> )	WEIGHT (lb/ft)	I (In <sup>4</sup> )	ST (In <sup>3</sup> )	SB (In <sup>3</sup> )
54"	789	822	261,000	8,910	10,550



• POSSIBLE STRAND LOCATIONS  
DEPENDING ON DESIGN

## STRESS-CON INDUSTRIES, INC.

MAIN OFFICE:  
50500 DESIGN LANE  
SHELBY TOWNSHIP, MI 48315  
WWW.STRESSCONINDUSTRIES.COM

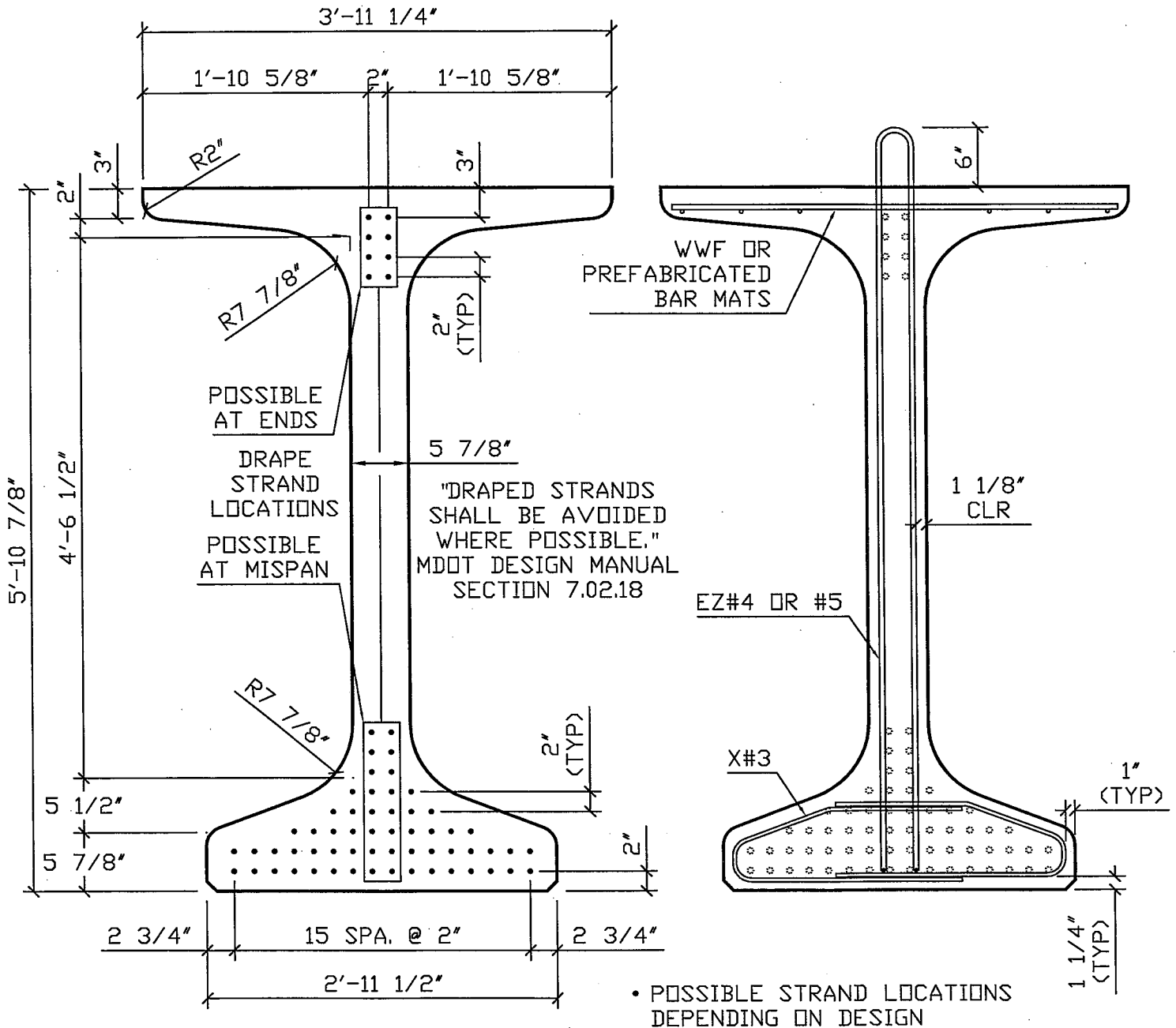
TEL: (586) 731-1628  
FAX: (586) 731-7007



IB TYPE IV

# MICHIGAN 1800 GIRDER

DEPTH (In)	AREA (In <sup>2</sup> )	WEIGHT (lb/ft)	I (In <sup>4</sup> )	ST (In <sup>3</sup> )	SB (In <sup>3</sup> )
70 7/8"	875	910	624,700	16,600	18,800



• POSSIBLE STRAND LOCATIONS  
DEPENDING ON DESIGN

## STRESS-CON INDUSTRIES, INC.

MAIN OFFICE:

50500 DESIGN LANE

SHELBY TOWNSHIP, MI 48315

TEL: (586) 731-1628

FAX: (586) 731-7007

WWW.STRESSCONINDUSTRIES.COM



IB 1800mm