

PROVIDE FOAM BACKER ROD  
w/ CAULK SEALANT  
TYPICAL BOTH SIDES ALL JOINTS

1 TYP. PANEL TO PANEL CONN. @ CORNERS  
E-3

# STRESS-CON INDUSTRIES, INC.

MAIN OFFICE:

50500 DESIGN LANE

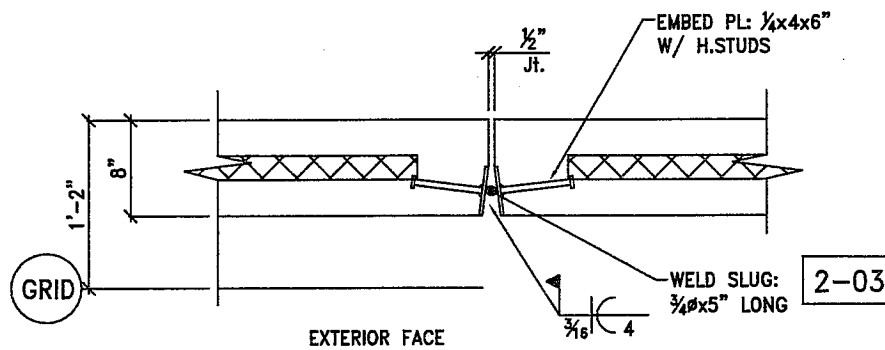
SHELBY TOWNSHIP, MI 48315

TEL: (586) 731-1628

FAX: (586) 731-7007

[WWW.STRESSCONINDUSTRIES.COM](http://WWW.STRESSCONINDUSTRIES.COM)

PROVIDE FOAM BACKER ROD  
w/ CAULK SEALANT  
TYPICAL BOTH SIDES ALL JOINTS



2 TYP. PANEL TO PANEL CONNECTION  
E-3

# STRESS-CON INDUSTRIES, INC.

MAIN OFFICE:

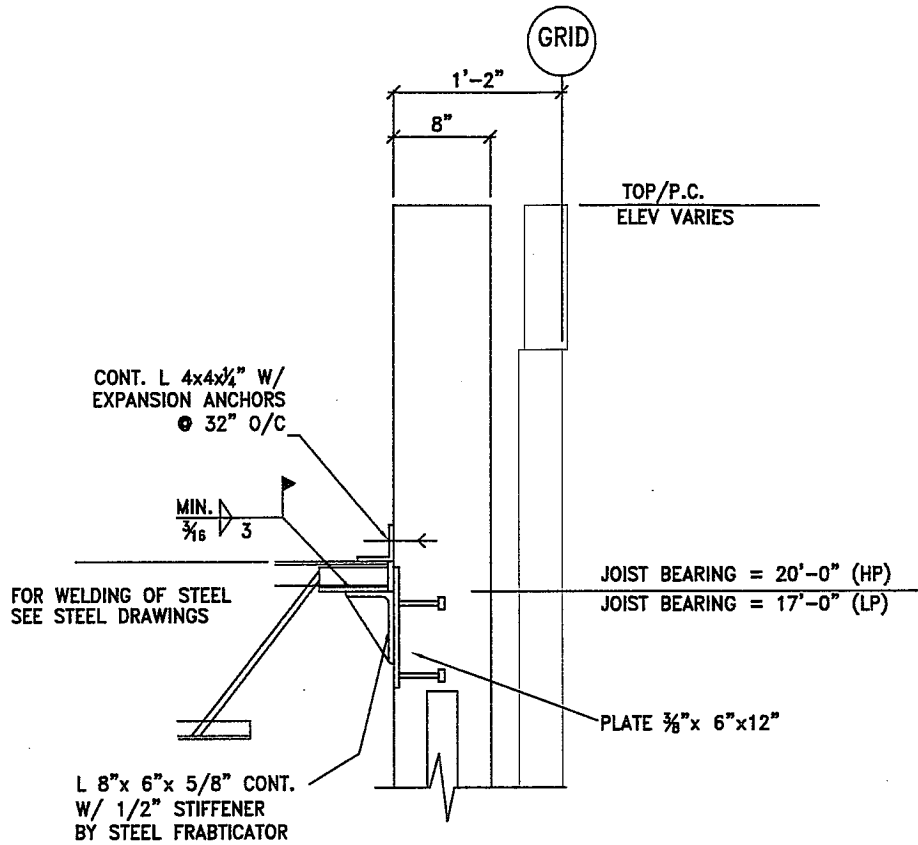
50500 DESIGN LANE

SHELBY TOWNSHIP, MI 48315

TEL: (586) 731-1628

FAX: (586) 731-7007

[WWW.STRESSCONINDUSTRIES.COM](http://WWW.STRESSCONINDUSTRIES.COM)



3  
E-3 TYP. WALL TO JOIST/BEARING

# STRESS-CON INDUSTRIES, INC.

MAIN OFFICE:

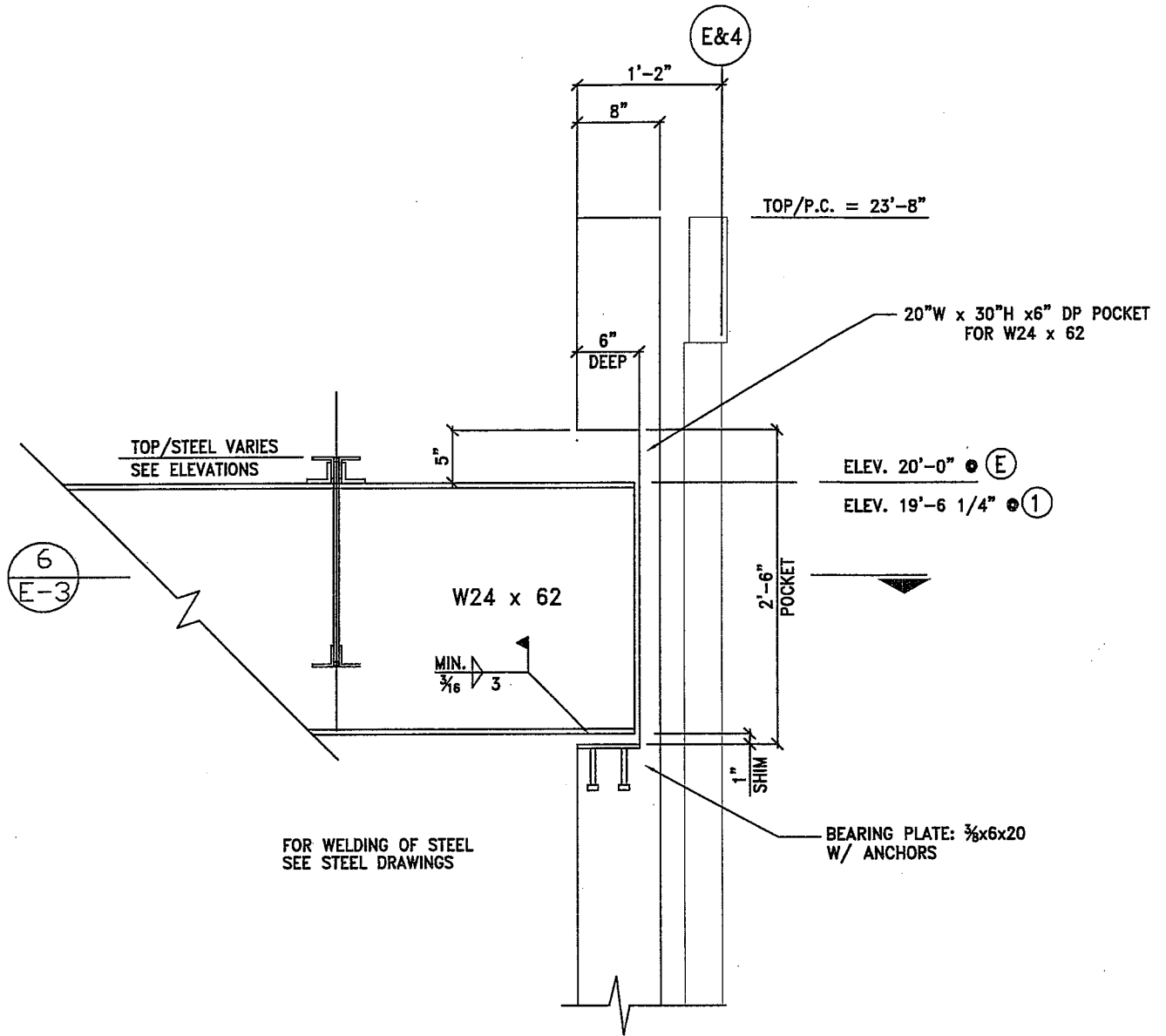
50500 DESIGN LANE

SHELBY TOWNSHIP, MI 48315

TEL: (586) 731-1628

FAX: (586) 731-7007

[WWW.STRESSCONINDUSTRIES.COM](http://WWW.STRESSCONINDUSTRIES.COM)



5 TYP. WALL TO JOIST GIRDER @ BEARING  
 E-3

# STRESS-CON

## INDUSTRIES, INC.

**MAIN OFFICE:**

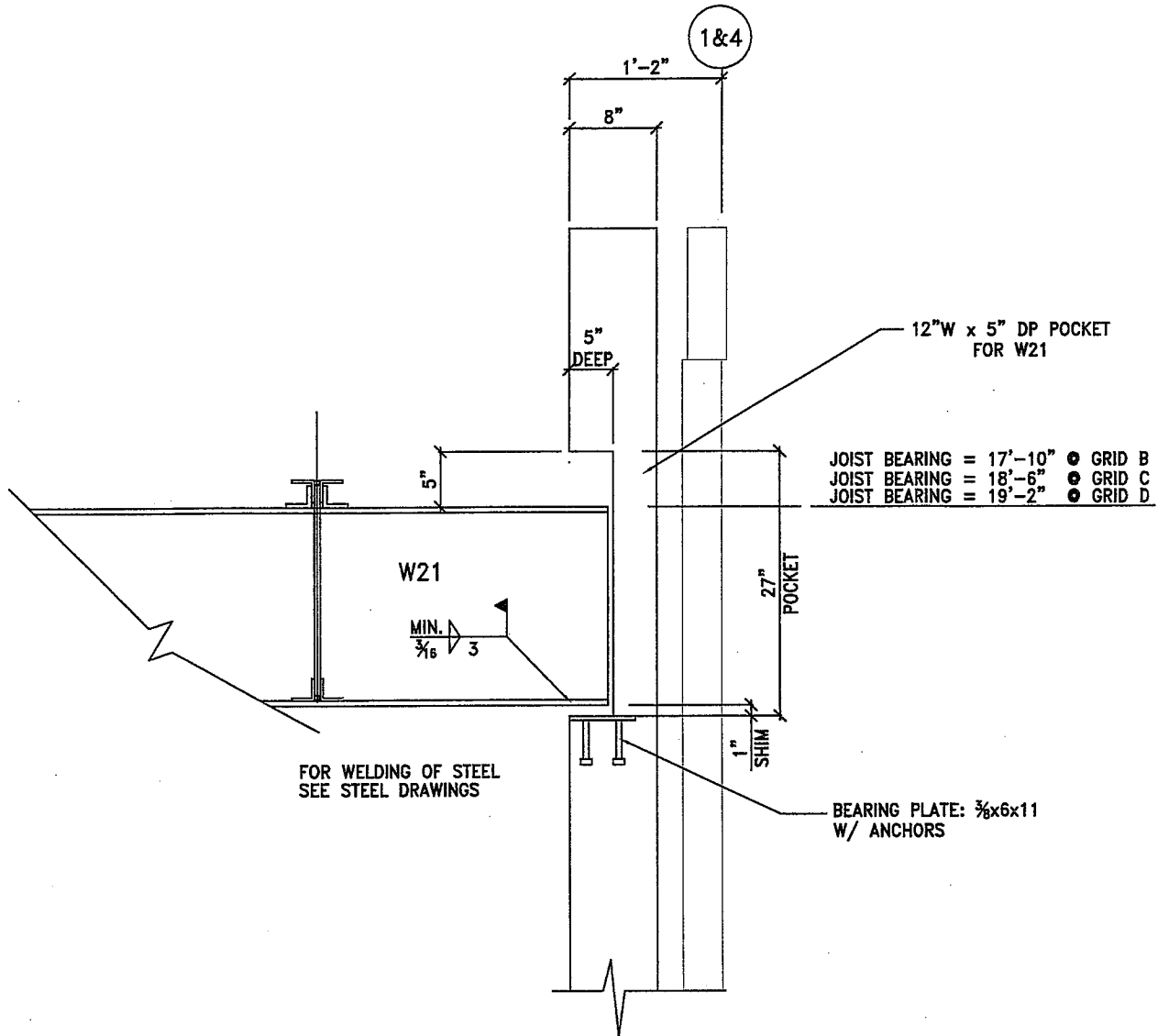
**50500 DESIGN LANE**

**SHELBY TOWNSHIP, MI 48315**

**TEL: (586) 731-1628**

**FAX: (586) 731-7007**

**WWW.STRESSCONINDUSTRIES.COM**



9 TYP. WALL TO JOIST GIRDER @ BEARING  
E-3

# STRESS-CON

## INDUSTRIES, INC.

MAIN OFFICE:

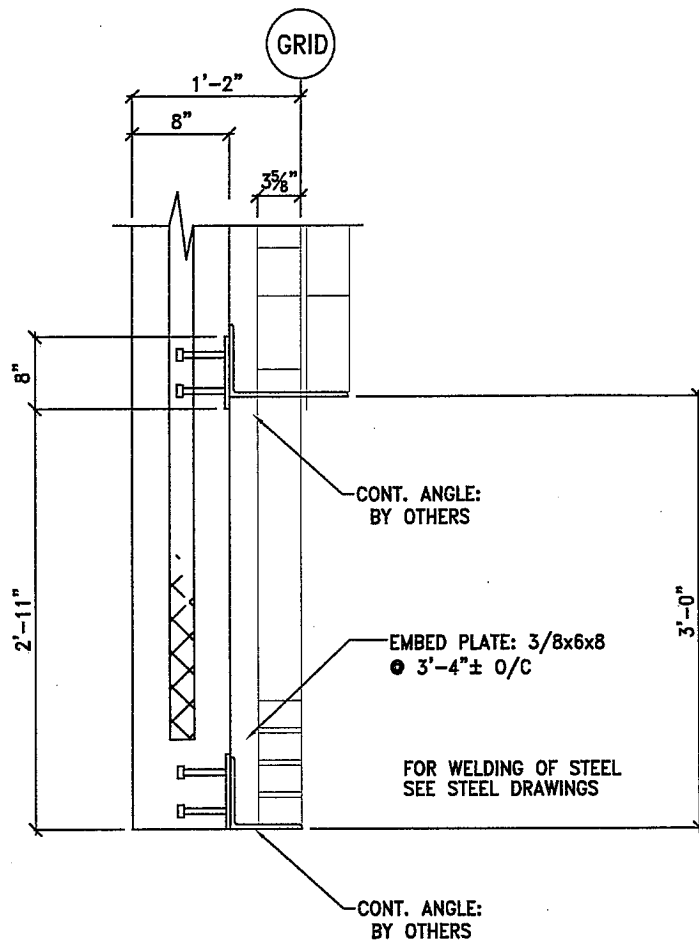
50500 DESIGN LANE

SHELBY TOWNSHIP, MI 48315

TEL: (586) 731-1628

FAX: (586) 731-7007

[WWW.STRESSCONINDUSTRIES.COM](http://WWW.STRESSCONINDUSTRIES.COM)



4  
E-3

TYP. SUPPORT

⊙ ALL SPANDREL

# STRESS-CON INDUSTRIES, INC.

MAIN OFFICE:

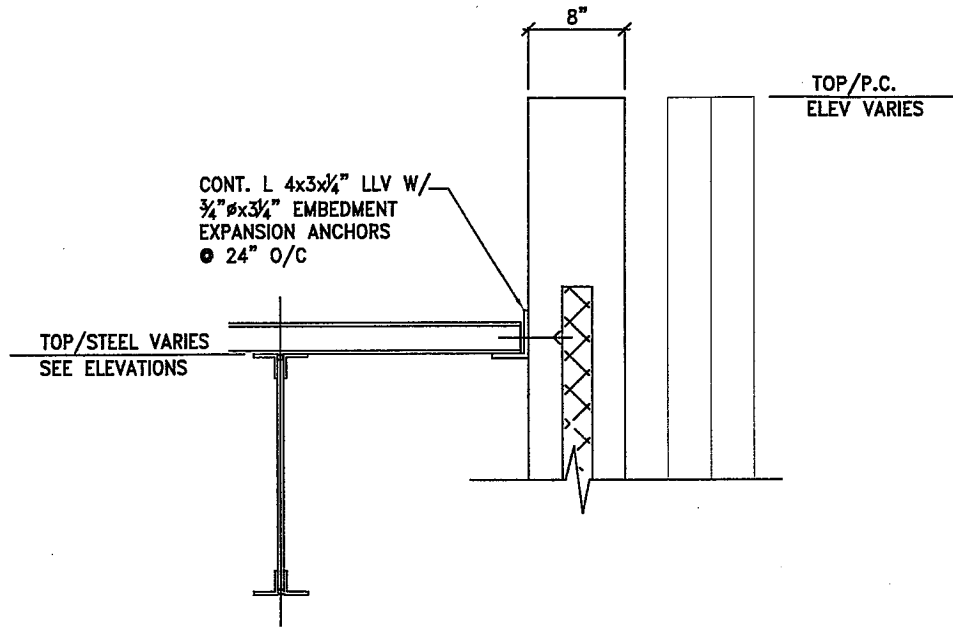
50500 DESIGN LANE

SHELBY TOWNSHIP, MI 48315

TEL: (586) 731-1628

FAX: (586) 731-7007

[WWW.STRESSCONINDUSTRIES.COM](http://WWW.STRESSCONINDUSTRIES.COM)



CONT. L 4x3x $\frac{1}{4}$ " LLV W/  
 $\frac{3}{4}$ "  $\phi$ x $\frac{3}{4}$ " EMBEDMENT  
 EXPANSION ANCHORS  
 @ 24" O/C

TOP/STEEL VARIES  
 SEE ELEVATIONS

TOP/P.C.  
 ELEV VARIES

10 TYP. WALL TO JOIST/NON-BEARING  
 E-3

# STRESS-CON INDUSTRIES, INC.

MAIN OFFICE:

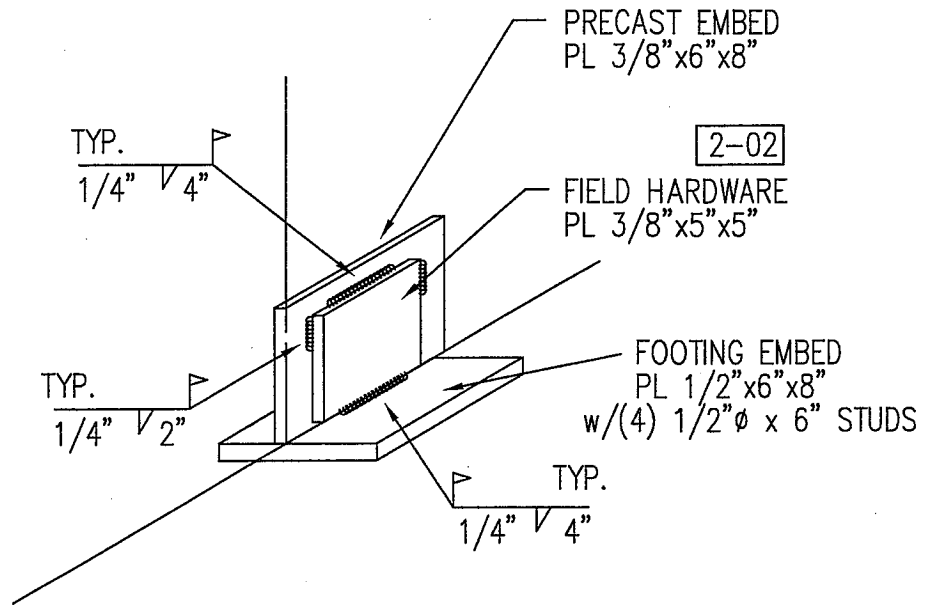
50500 DESIGN LANE

SHELBY TOWNSHIP, MI 48315

TEL: (586) 731-1628

FAX: (586) 731-7007

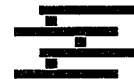
[WWW.STRESSCONINDUSTRIES.COM](http://WWW.STRESSCONINDUSTRIES.COM)



SECTION 2  
E-1  
 STANDARD  
 SINGLE PANEL CONN.  
 PANEL TO FOOTING

# STRESS-CON

## INDUSTRIES, INC.

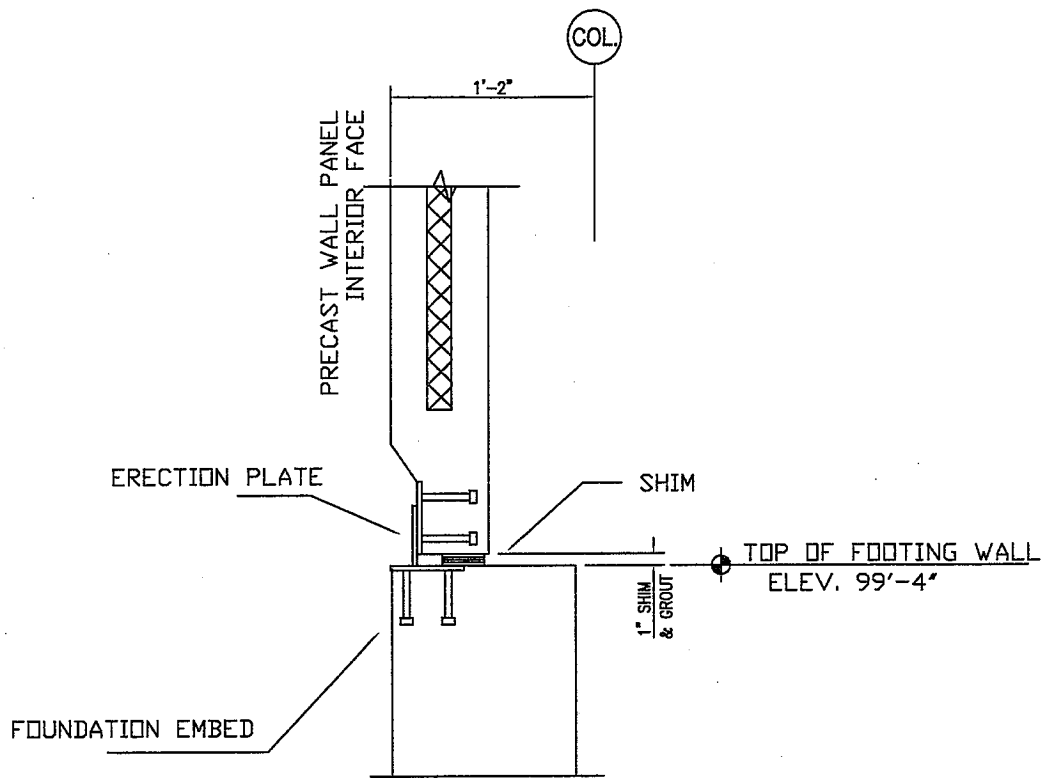


**MAIN OFFICE:**  
**50500 DESIGN LANE**  
**SHELBY TOWNSHIP, MI 48315**

**TEL: (586) 731-1628**  
**FAX: (586) 731-7007**

**WWW.STRESSCONINDUSTRIES.COM**





TYP. CROSS SECTION  
PANEL TO FOOTING

# STRESS-CON INDUSTRIES, INC.



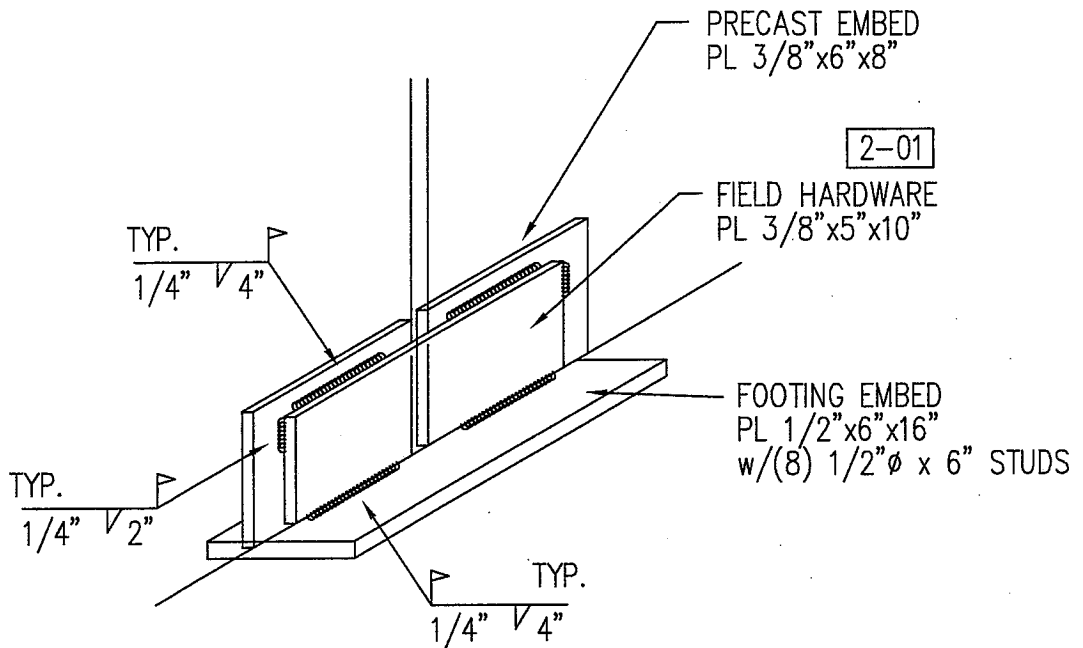
**MAIN OFFICE:**

**50500 DESIGN LANE  
SHELBY TOWNSHIP, MI 48315**

**TEL: (586) 731-1628**

**FAX: (586) 731-7007**

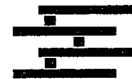
**WWW.STRESSCONINDUSTRIES.COM**



SECTION 1  
E-1  
 STANDARD  
 DOUBLE PANEL CONN.  
 PANEL TO FOOTING

# STRESS-CON

## INDUSTRIES, INC.



**MAIN OFFICE:**

**50500 DESIGN LANE**

**SHELBY TOWNSHIP, MI 48315**

**TEL: (586) 731-1628**

**FAX: (586) 731-7007**

**WWW.STRESSCONINDUSTRIES.COM**